

Die Cast Machinery, LLC Inventory number ??: 5490

We offer for sale, subject to availability, prior sale and the terms listed below:

Used Sterlco Model: M2B-2026-U1 72 KW (36 kw per zone) Dual (two) Zone Portable Hot Oil Process Heater
Temperature Control Unit with Cooling Water Circuit

Model: M2B-2026-U1

Status: Sold

Specifications:

Metric / U.S. Standard

Total Hot Oil Heating Power:	72 Kw / 72 Kw
Main Heater Power per Zone (Zone 1, 2):	36 kw / 36 kw
Pump Motor Size & RPM (Zone 1, 2):	1.49 KW @ 1,725 RPM / 2 HP @ 1,725 RPM
Hot Oil Flow Rate (Zone 1, 2):	90.8 liters per minute / 24 gallons per minute
Process Connection size/type (Zone 1, 2,):	25.4 mm NPT / 1 inch NPT
Maximum Operating Temperature:	287.7 C / 550 F
Equipped with Cooling Circuit:	Yes, Tube-in-Shell / Yes, Tube-in-Shell
Overall Size (L x W x H):	1397 x 1397 x 1270 mm / 55 x 55 x 50 inches
Full Load Amps @ 480/3/60:	92.9 amp / 92.9 amp

Features & Accessories:

Sterlco M2B+ Microprocessor Control - User Friendly HMI

Alarms for low fluid pressure, pump rotation, over temperature Set points for Process, High Alarm, Low Alarm

Displays for Process Temperature, Return Temperature and Temperature Difference

Equipped with Thermostatically Controlled Tube-in-Shell Heat Exchanger Water Cooling Circuit

Unit Mounted on Casters for easy movement in your shop

Terms of Sale:

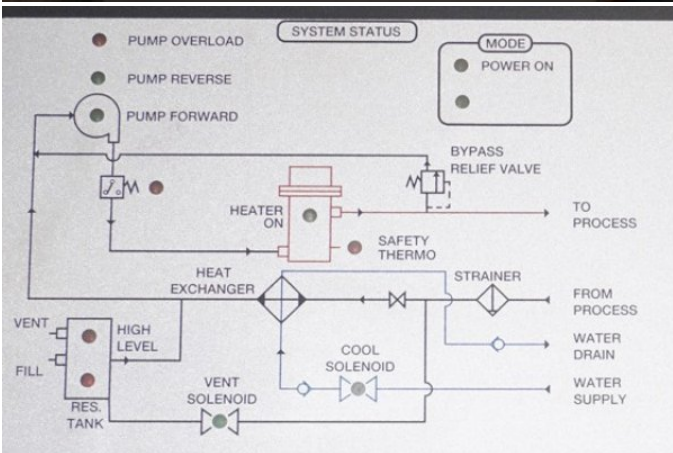
Price: [request quotation](#)

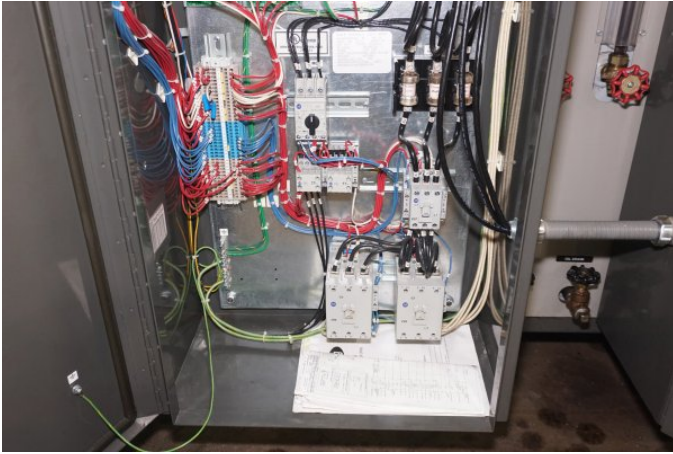
Shipping Terms: F.O.B. Warehouse

Product Photos:

Click on any image for a larger view





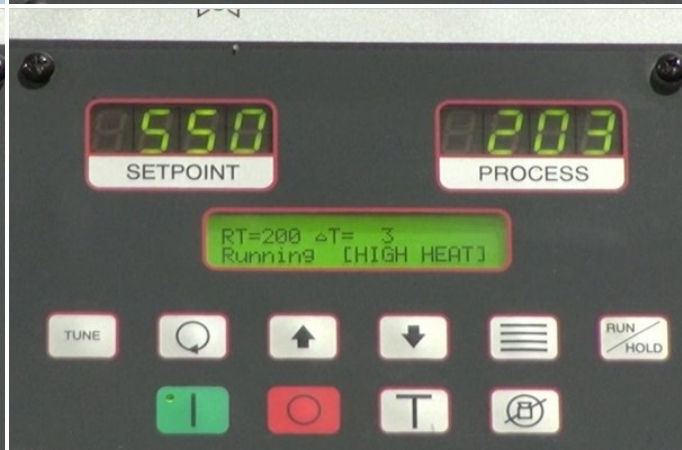
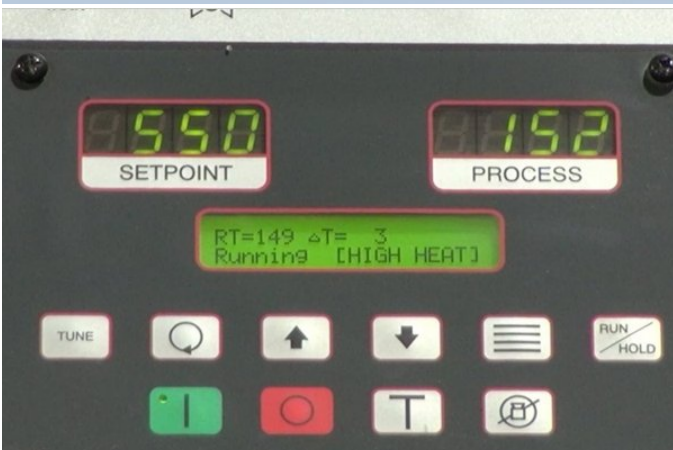


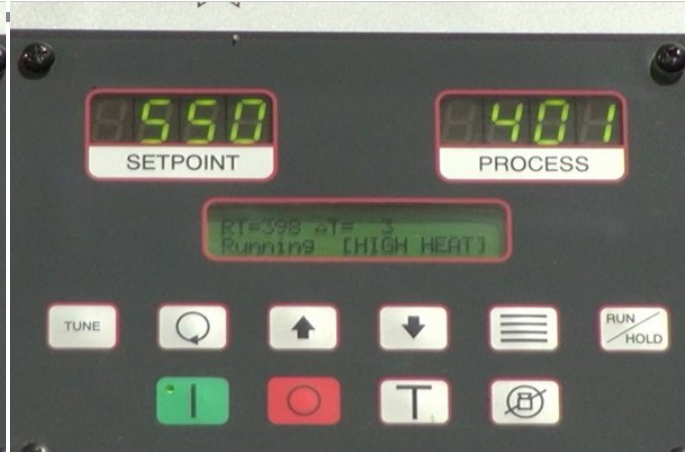
Model # M2B-2026-U1 Serial # 42J0340
DWG # 682-91230 - 00 REV M
VOLTS 480 PH 3 HERTZ 60
FLA 92.9 HTR KW 36:36:0:0
HP 2:2:0:0 MOTOR FLA 3
FRAME RPM 1735
SHORT CIRCUIT CURRENT: 25KA MS SYM.
480V MAX. WGT (KG)
CONTROL VOLT, 115V. 150
MAX PRESSURE(150 PSIG) 100PSI
NEW BERLIN, WISCONSIN USA

Next photographs
will show the process
reaching temperature



DIE CAST
MACHINERY
LLC





We've reached the maximum rated temperature. We will turn off the heating circuit and let the unit return to room temperature before shutting the system down.





Description: Used, Sterlco Model M2B-2026-U1 72 KW (36 kw per zone) Dual (two) Zone Portable Hot Oil Process Heater Temperature Control Unit with Cooling Water Circuit For Sale, Features include: Sterlco M2B+ Microprocessor Control - User Friendly HMI, Alarms for low fluid pressure, pump rotation, over temperature Set points for Process, High Alarm, Low Alarm, Displays for Process Temperature, Return Temperature and Temperature Difference, Equipped with Thermostatically Controlled Tube-in-Shell Heat Exchanger Water Cooling Circuit, Unit Mounted on Casters for easy movement in your shop, , M2B+ Controls, Second Hand, DCM-5490

PURCHASER'S (Buyer's) RESPONSIBILITY AND INDEMNITY: Used machines, equipment or any part thereof, may not incorporate approved activating mechanisms, operator safety devices or safety guards as required by OSHA or otherwise. It shall be a Purchaser's (Buyer's) responsibility to ensure that any and all merchandise or equipment purchased from Die Cast Machinery, LLC or its affiliates is installed and operated in a proper and safe manner. Purchaser (Buyer) also acknowledges that it may have to install or change guards, safeties, warnings or other components to ensure that the merchandise or machines purchased will conform to all laws, codes, regulations, ordinances, statutes, insurance requirements and industry standards. Purchaser agrees to defend, indemnify and hold harmless Die Cast Machinery, LLC from and against all suits, claims, costs, damages and expenses, including, but not limited to, reasonable attorneys' fees, arising out of, or in connection with, the transportation, purchase, ownership, or use of the merchandise or equipment sold hereunder. Information has been obtained from sources deemed reliable, buyers should avail themselves of the opportunity to inspect the items before purchase.