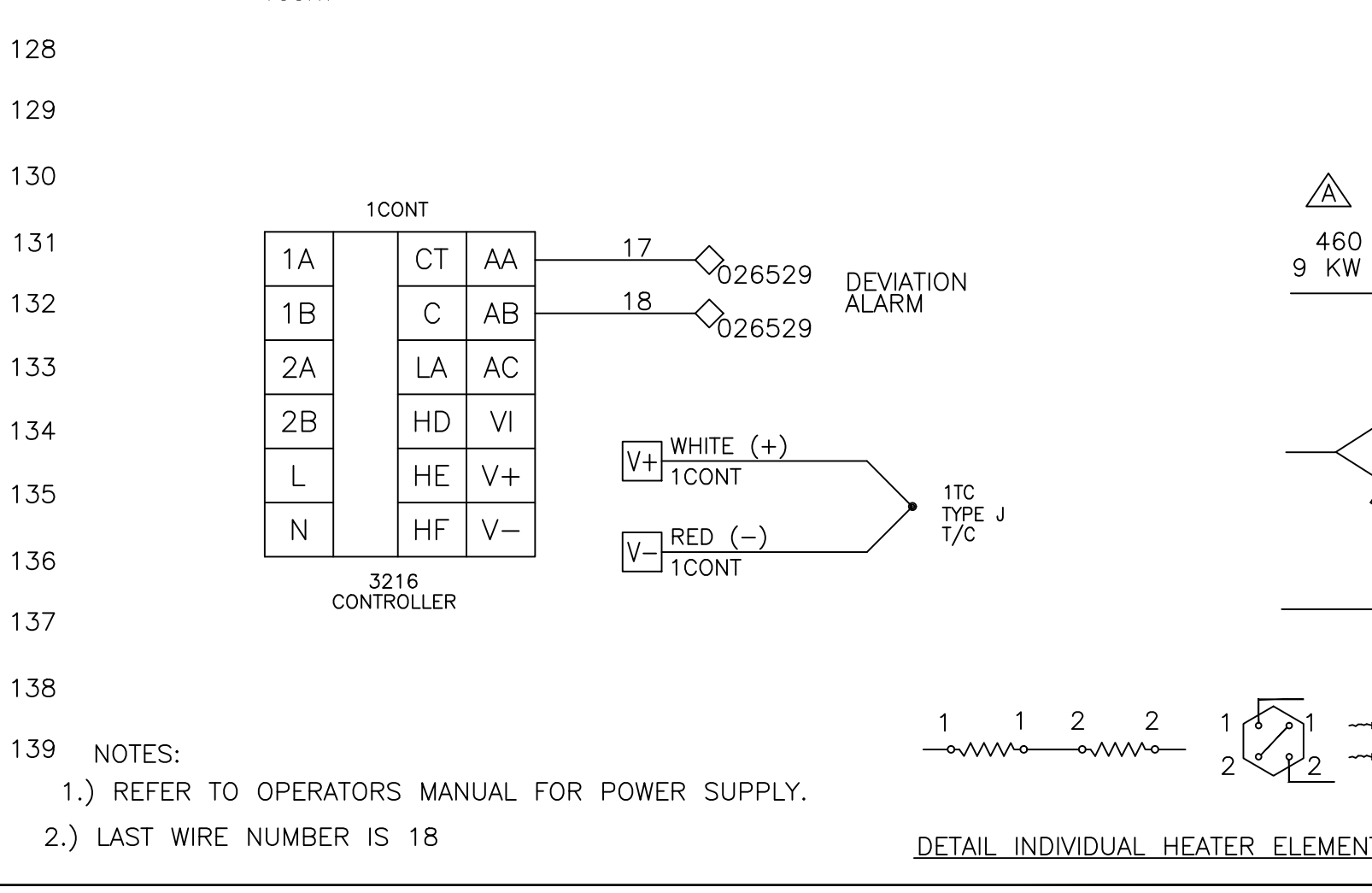
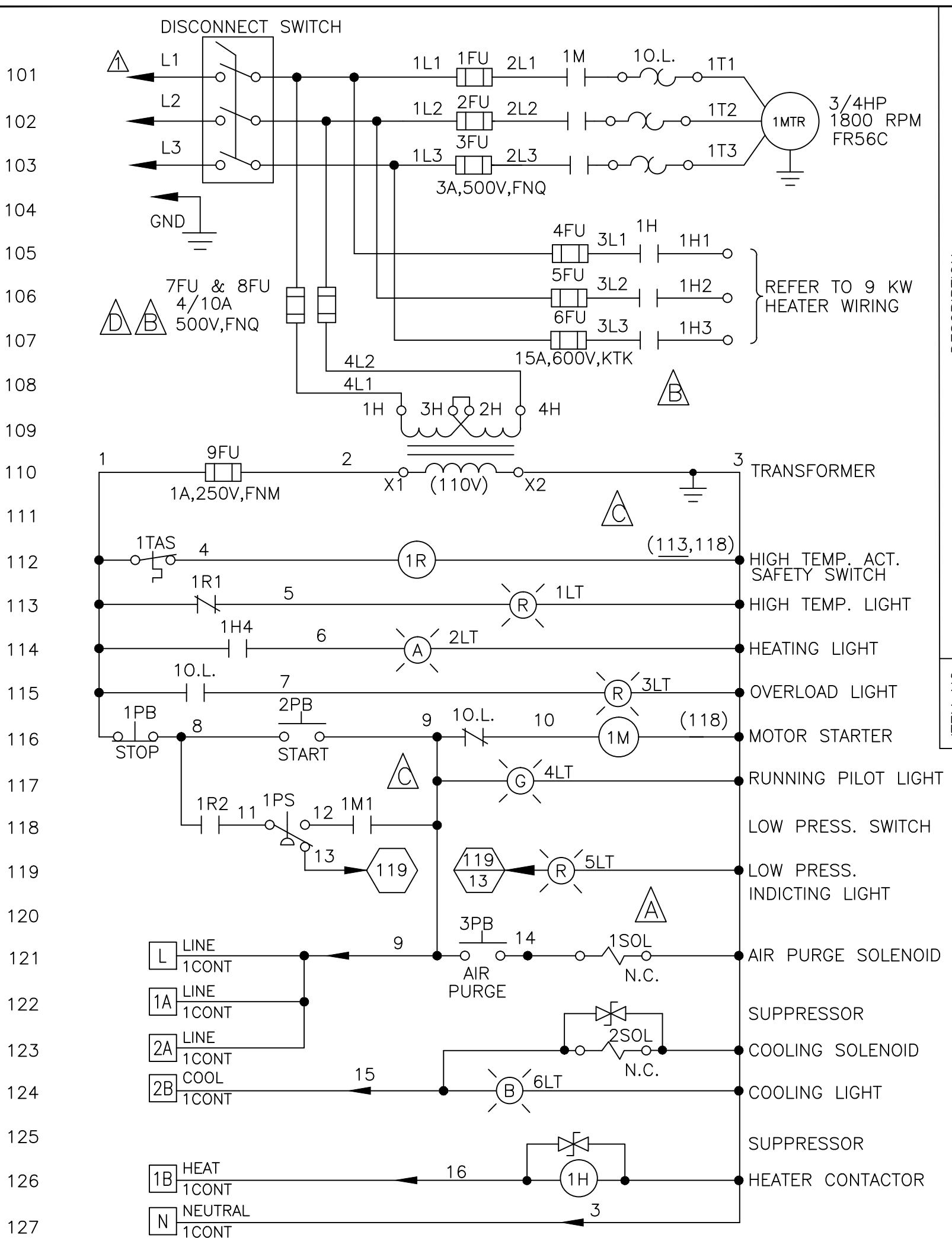


REVISIONS

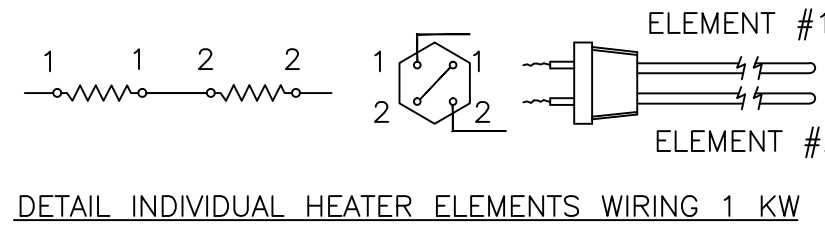
BY	DATE	APPROVED
MLR	04/17/14	
MLR	04/17/14	
MLR	04/17/14	

DESCRIPTION	DATE	APPROVED
7 & 8FU WERE 3/10 FUSING	7/5/00	
UPDATED CONTROLLER ADDED LOW TEMP ALARM	04/17/14	

LTR	DESCRIPTION	DATE	APPROVED
D	7 & 8FU WERE 3/10 FUSING	7/5/00	
E	UPDATED CONTROLLER ADDED LOW TEMP ALARM	04/17/14	



- NOTES:
- REFER TO OPERATORS MANUAL FOR POWER SUPPLY.
 - LAST WIRE NUMBER IS 18



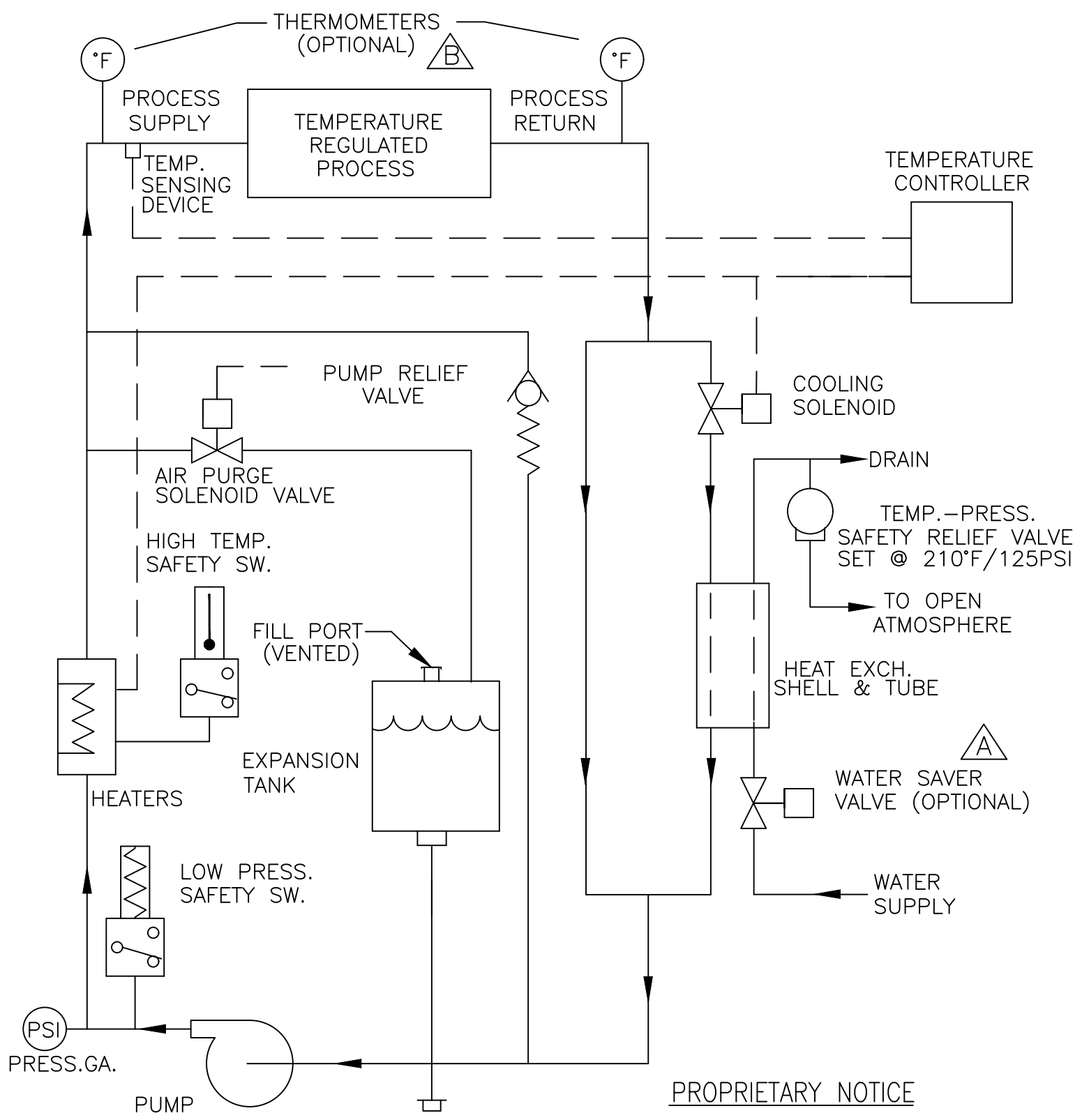
DESCRIPTION

ITEM NO.	DESCRIPTION	DATE	APPROVED
9/30/97			
M. VACLAVIK			
DRAWN	CHECKED	APP.	
UNLESS OTHERWISE SPECIFIED	.XX ± .010 .XXX ± .005 .XXXX ± ANGLES ± 1/2° RAD. & FILLETS.005-.015		
DESCRIPTION ELECTRICAL SCHEMATIC: 1 ZONE OIL UNIT 460V/3ph/60HZ. 9 KW WITH BARBER COLMAN 10Q TEMPERATURE CONTROLLER			
MODEL NO.	DWG. NO.	SCALE NONE	
H3410900	110-0872	SHEET 1 OF 1	

MORNING

DIVISION
PROTECTIVE CLOSURES CO., INC.
2150 Elmwood Avenue, Buffalo, New York 14207

DETAIL INDIVIDUAL HEATER ELEMENTS WIRING 1 KW



PROPRIETARY NOTICE

THE INFORMATION IN THIS DOCUMENT IS PROPRIETARY TO MOKON AND SHALL NOT BE USED OR REPRODUCED FOR ANY REASON WITHOUT PRIOR WRITTEN CONSENT.

B	ADDED SUPPLY AND RETURN THERMOMETERS (OPTIONAL)	10/27/98	
A	ADDED WATER SAVER VALVE	8/18/98	
LTR	DESCRIPTION	DATE	APP.
UNLESS OTHERWISE SPECIFIED			
	DRAWN	R. CRUZ	8/28/96
.XX ± .010	CHECKED	R. CRUZ	8/28/96
.XXX ± .005	APP.	R. CRUZ	8/28/96
.XXXX ± ____	VERIFIED		10/24/03
ANGLES ± 1/2°			
RAD.& FILLETS.005-.015			
DESCRIPTION		MODEL NO.	DWG. NO.
FLOW SCHEMATIC: MINI & MICRO OIL UNIT		A H2 & H3 HTF SERIES	100-0878
SCALE NONE		SHEET 1 OF 1	

MOKON

2150 Elmwood Avenue, Buffalo, New York 14207

CAD GENERATED DRAWING