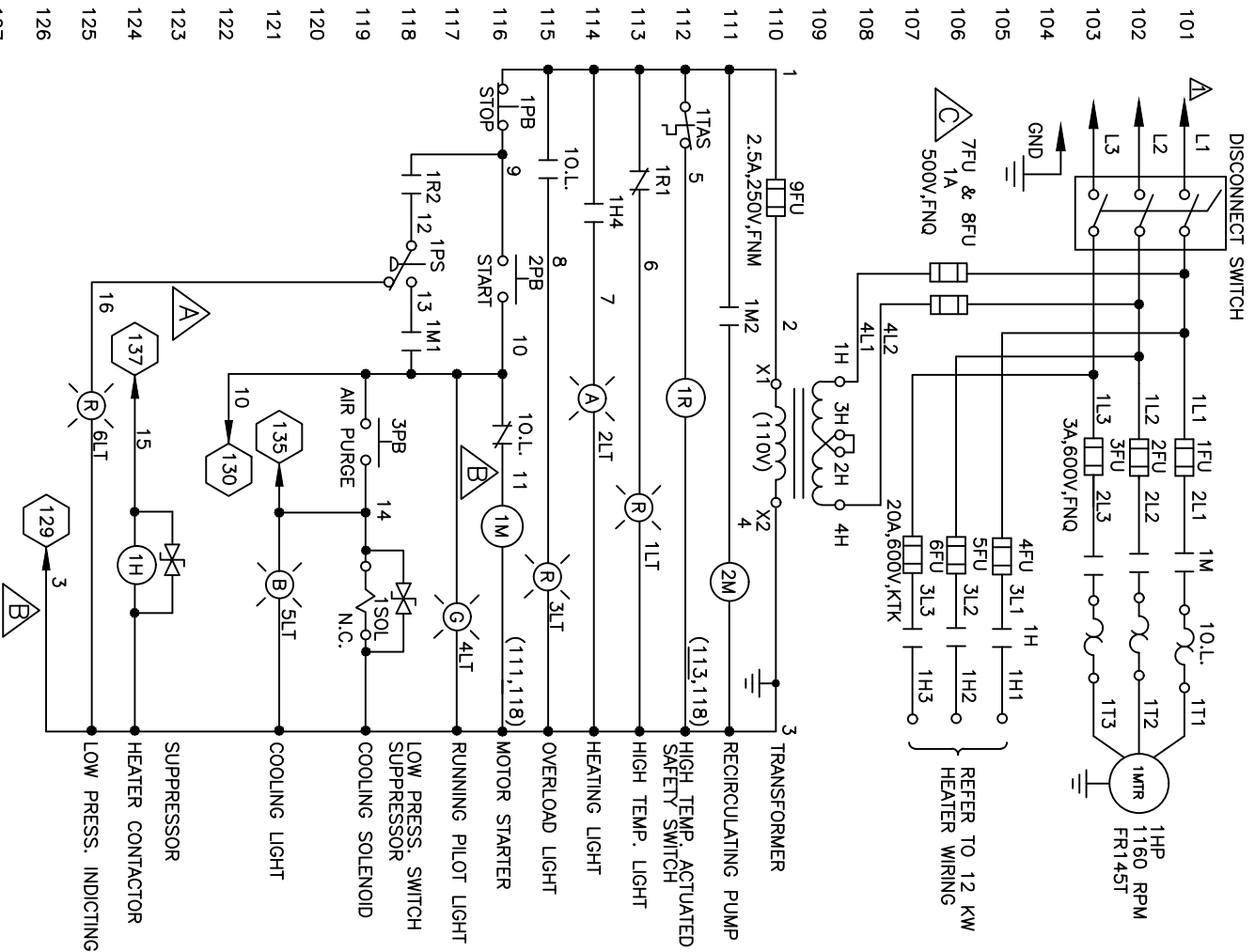


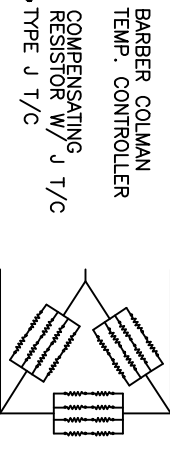
REVISIONS				
LTR	DESCRIPTION	BY	DATE	APPROVED
A	CHANGED LINE 124	BJ	12/5/97	
B	MOVED 10.L., ADDED CONTACT NO.	BJ	3/10/99	



ITEM NO.	DESCRIPTION
MOKON	
DIVISION PROTECTIVE CLOSURES CO., INC. 2150 Elmwood Avenue, Buffalo, New York 14207	
D	MODEL NO. H4411200
	DWG. NO. 110-0890
SCALE NONE	
SHEET 1 OF 1	

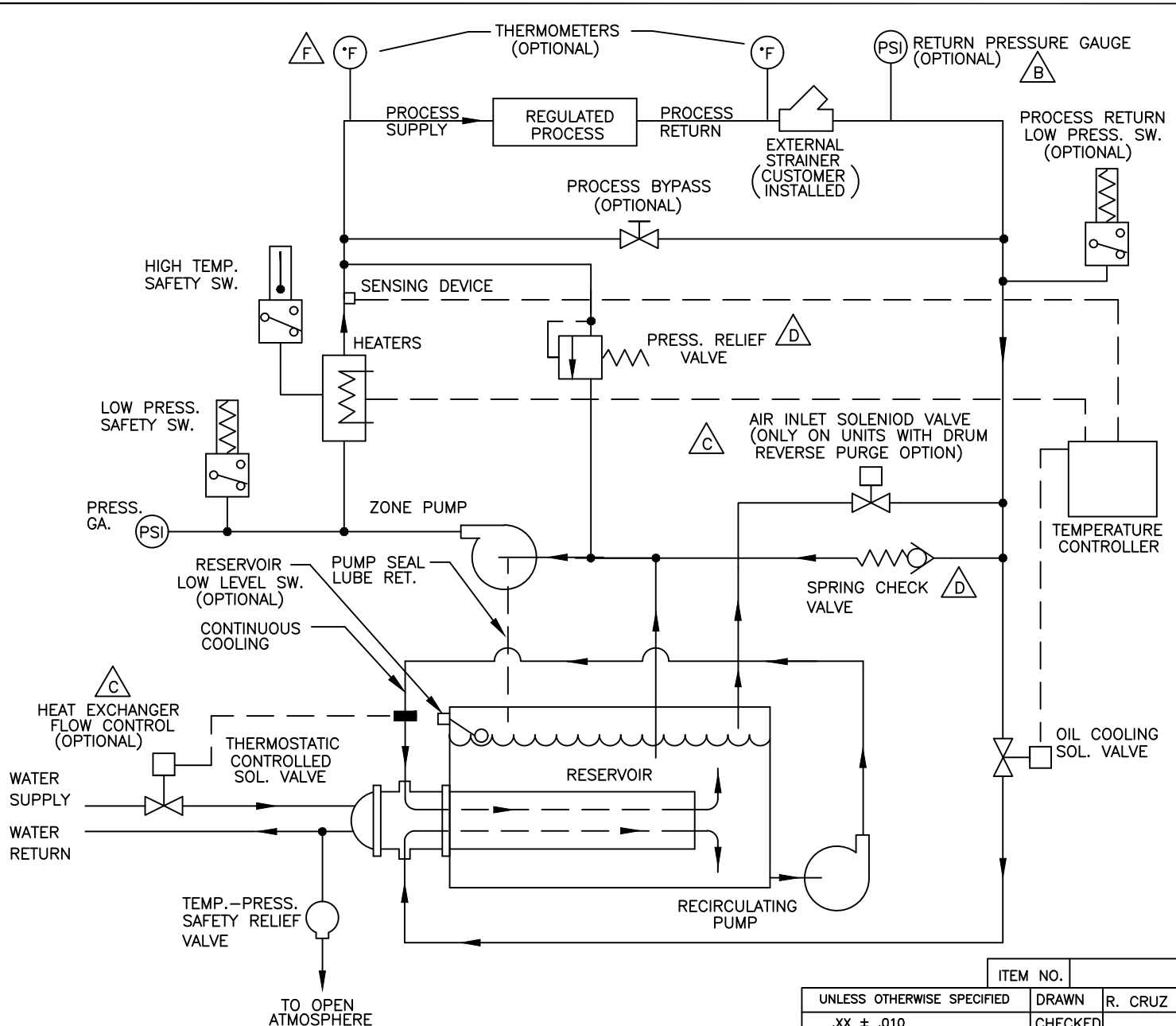
UNLESS OTHERWISE SPECIFIED	DRAWN	M. VACLAVIK	11/3/97
.XX ± .010	CHECKED		
.XXX ± .005	APP.		
.XXXX ±			
ANGLES ± 1/2°			
RAD.& FILLETS .005-.015			
DESCRIPTION ELECTRICAL SCHEMATIC: 1 ZONE OIL UNIT 460V/3ph/60HZ. 12KW WITH BARBER COLMAN 10Q TEMPERATURE CONTROLLER			

101	DISCONNECT SWITCH	104	4FU 3L1 1H
102	L1	105	5FU 3L2 1H2
103	L2	106	6FU 3L3 1H3
104	L3	107	20A, 600V, KTK
105	GND	108	4L1
106	7FU & 8FU 500V, FNG	109	1H 3H 2H 4H
107		110	2.5A, 250V, FNM
108		111	1M2
109		112	X1 (110V)
110		113	X2
111	TRANSFORMER	114	2M (113, 118)
112	RECIRCULATING PUMP	115	1R (113, 118)
113	HIGH TEMP. ACTUATED SAFETY SWITCH	116	10.L.
114	HIGH TEMP. LIGHT	117	1H4
115	HEATING LIGHT	118	1H1
116	OVERLOAD LIGHT	119	1M
117	MOTOR STARTER	120	10.L. 11
118	LOW PRESS. SWITCH	121	1M (111, 118)
119	LOW PRESS. SOLENOID	122	3PB
120	COOLING SOLENOID	123	1SOL
121	COOLING LIGHT	124	N.C.
122		125	1H
123	SUPPRESSOR	126	1S
124	HEATER CONTACTOR	127	1H
125	LOW PRESS. INDICATING LIGHT	128	1H
126		129	1H
127		128	1H
128		129	1H
129		130	1H
130		131	1H
131		132	1H
132		133	1H
133		134	1H
134		135	1H
135		136	1H
136		137	1H
137		138	1H
138		139	1H



NOTES:
 1.) REFER TO OPERATORS MANUAL FOR POWER SUPPLY.
 2.) LAST WIRE NUMBER 16.

C	REV. 7 & 8FU TO 1A. 500V, FNG	BJ	4/11/00
---	-------------------------------	----	---------



REVISIONS			
LTR	DESCRIPTION	DATE	APPROVED
A	ADDED PROCESS BYPASS.	7/30/97	
B	ADDED OPTIONAL PRESS. GAUGE	11/11/97	
C	ADDED OPTIONAL HEAT EXCH. FLOW CNT.	6/25/98	
D	UPDATED SYMBOL REPRESENTAION	8/6/98	
E	ADDED DRUM REV. PURGE TO DESCRIPTION	10/28/98	
F	ADDED SUPPLY/RETURN THERMOMETERS	1/25/99	

ITEM NO.	DESCRIPTION		
UNLESS OTHERWISE SPECIFIED	DRAWN	R. CRUZ	2/17/97
.XX ± .010	CHECKED		
.XXX ± .005	APP.		
.XXXX ±			
ANGLES ± 1/2"			
RAD.& FILLETS.005-.015			
DESCRIPTION FLOW SCHEMATIC: SINGLE OR MULTI ZONE OIL UNIT W/ RECIRCULATING PUMP & OPTIONAL DRUM REVERSE PURGE			

<h1 style="text-align: center;">MOKON</h1> <p style="text-align: center;">DIVISION PROTECTIVE CLOSURES CO.,INC. 2150 Elmwood Avenue, Buffalo, New York 14207</p>		MODEL NO.	DWG. NO.
		H4&H5 HTF SERIES	110-0816
SCALE NONE			SHEET 1 OF 1

E