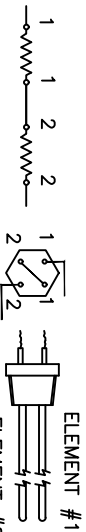
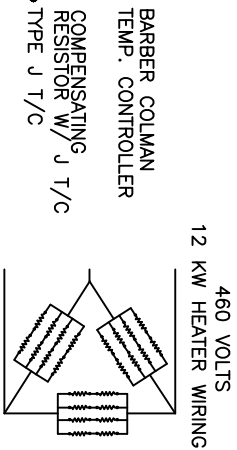
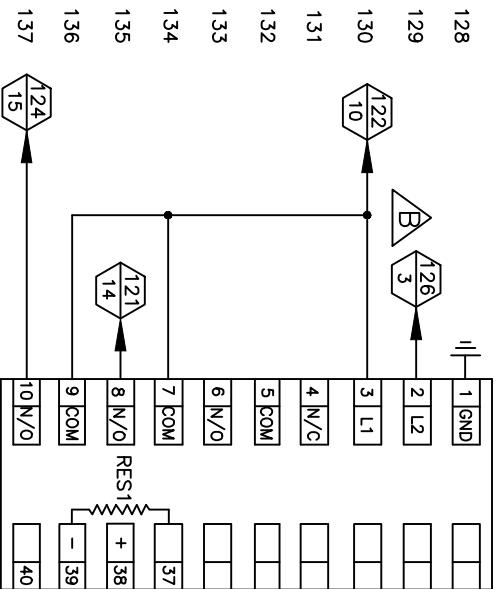
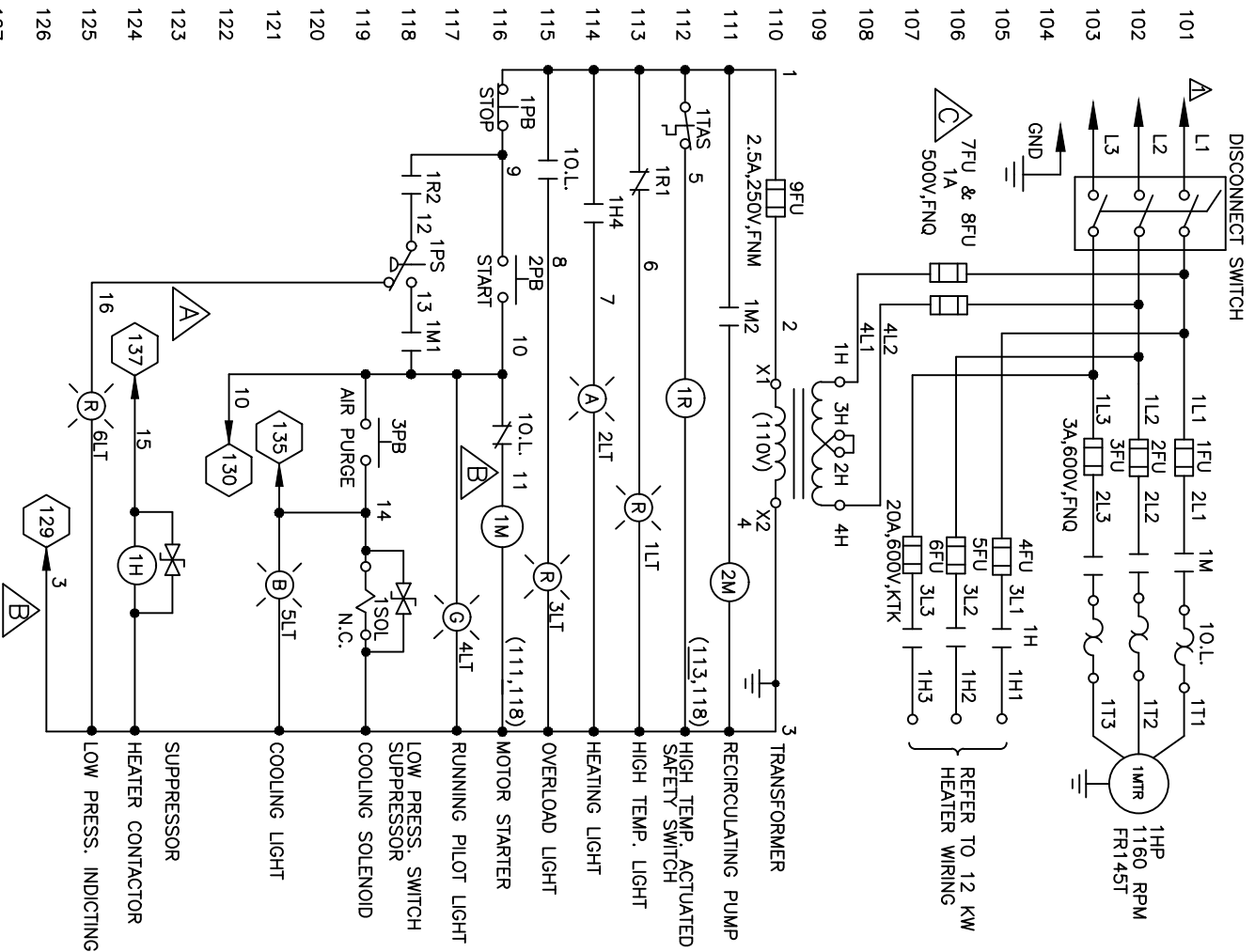


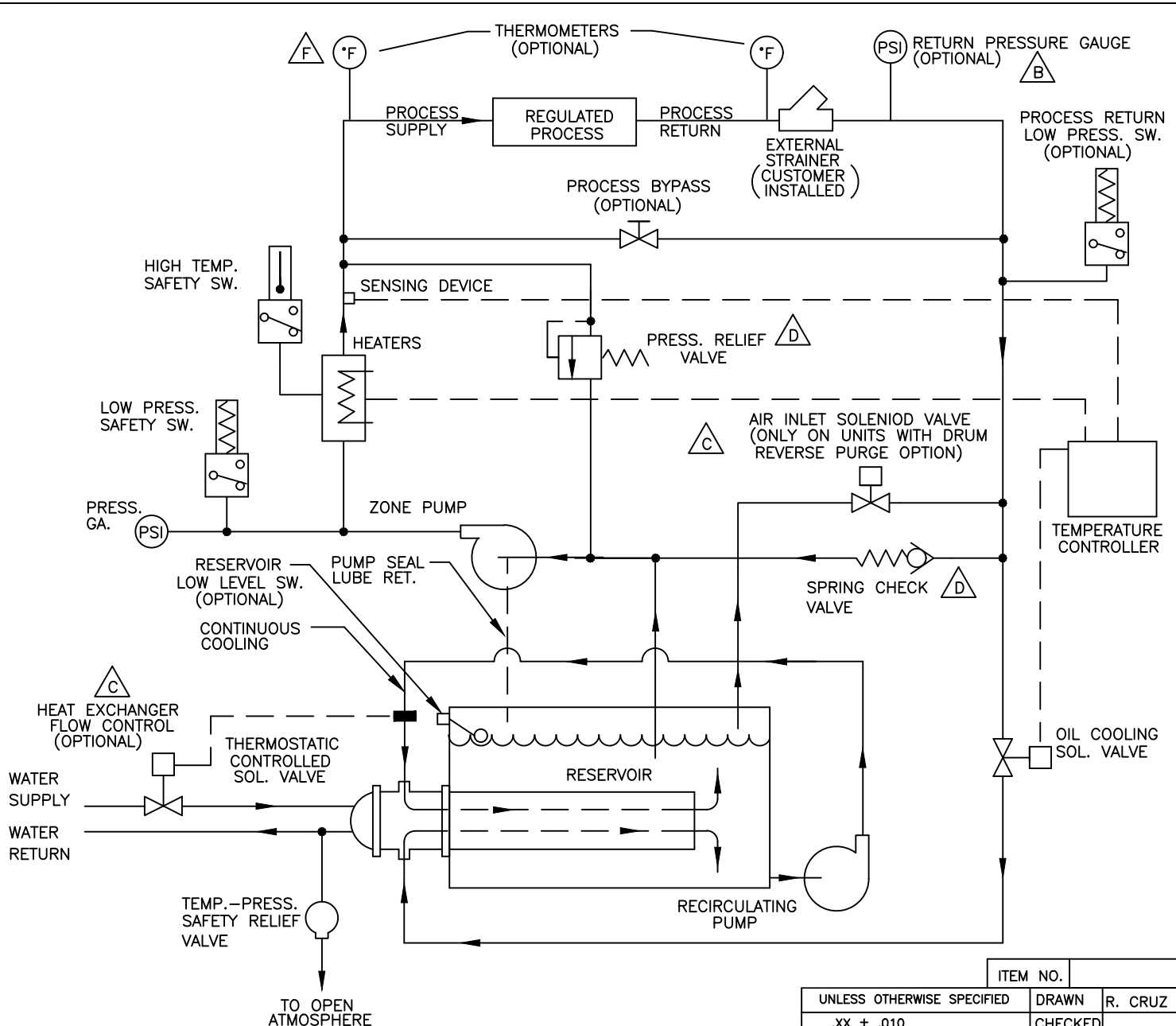
REVISIONS				
LTR	DESCRIPTION	BY	DATE	APPROVED
A	CHANGED LINE 124	BJ	12/5/97	
B	MOVED 10.L., ADDED CONTACT NO.	BJ	3/10/99	



C	REV. 7 & 8FU TO 1A. 500V, FNG	BJ	4/11/00
---	-------------------------------	----	---------

ITEM NO.	DESCRIPTION	
	<p>UNLESS OTHERWISE SPECIFIED</p> <p>.XX ± .010 .XXX ± .005 .XXXX ± ANGLES ± 1/2° RAD.& FILLETS.005-.015</p>	
	DRAWN	M. VACLAVIK
	CHECKED	
	APP.	
	DATE	11/3/97
<p>DESCRIPTION ELECTRICAL SCHEMATIC:1 ZONE OIL UNIT 460V/3ph/60HZ. 12KW WITH BARBER COLMAN 10Q TEMPERATURE CONTROLLER</p>		
<p>MOKON</p> <p>DIVISION PROTECTIVE CLOSURES CO.,INC. 2150 Elmwood Avenue, Buffalo, New York 14207</p>		<p>MODEL NO. H4411200</p>
<p>DWG. NO. 110-0890</p>		<p>SHEET 1 OF 1</p>
<p>SCALE NONE</p>		

NOTES:
1.) REFER TO OPERATORS MANUAL FOR POWER SUPPLY.
2.) LAST WIRE NUMBER 16.



REVISIONS			
LTR	DESCRIPTION	DATE	APPROVED
A	ADDED PROCESS BYPASS.	7/30/97	
B	ADDED OPTIONAL PRESS. GAUGE	11/11/97	
C	ADDED OPTIONAL HEAT EXCH. FLOW CNT.	6/25/98	
D	UPDATED SYMBOL REPRESENTAION	8/6/98	
E	ADDED DRUM REV. PURGE TO DESCRIPTION	10/28/98	
F	ADDED SUPPLY/RETURN THERMOMETERS	1/25/99	

ITEM NO.	DESCRIPTION		
UNLESS OTHERWISE SPECIFIED	DRAWN	R. CRUZ	2/17/97
.XX ± .010	CHECKED		
.XXX ± .005	APP.		
.XXXX ±			
ANGLES ± 1/2"			
RAD.& FILLETS.005-.015			
DESCRIPTION FLOW SCHEMATIC: SINGLE OR MULTI ZONE OIL UNIT W/ RECIRCULATING PUMP & OPTIONAL DRUM REVERSE PURGE			

<h1 style="text-align: center;">MOKON</h1> <p style="text-align: center;">DIVISION PROTECTIVE CLOSURES CO.,INC. 2150 Elmwood Avenue, Buffalo, New York 14207</p>		MODEL NO.	DWG. NO.
		H4&H5 HTF SERIES	110-0816
SCALE NONE		SHEET 1 OF 1	

E