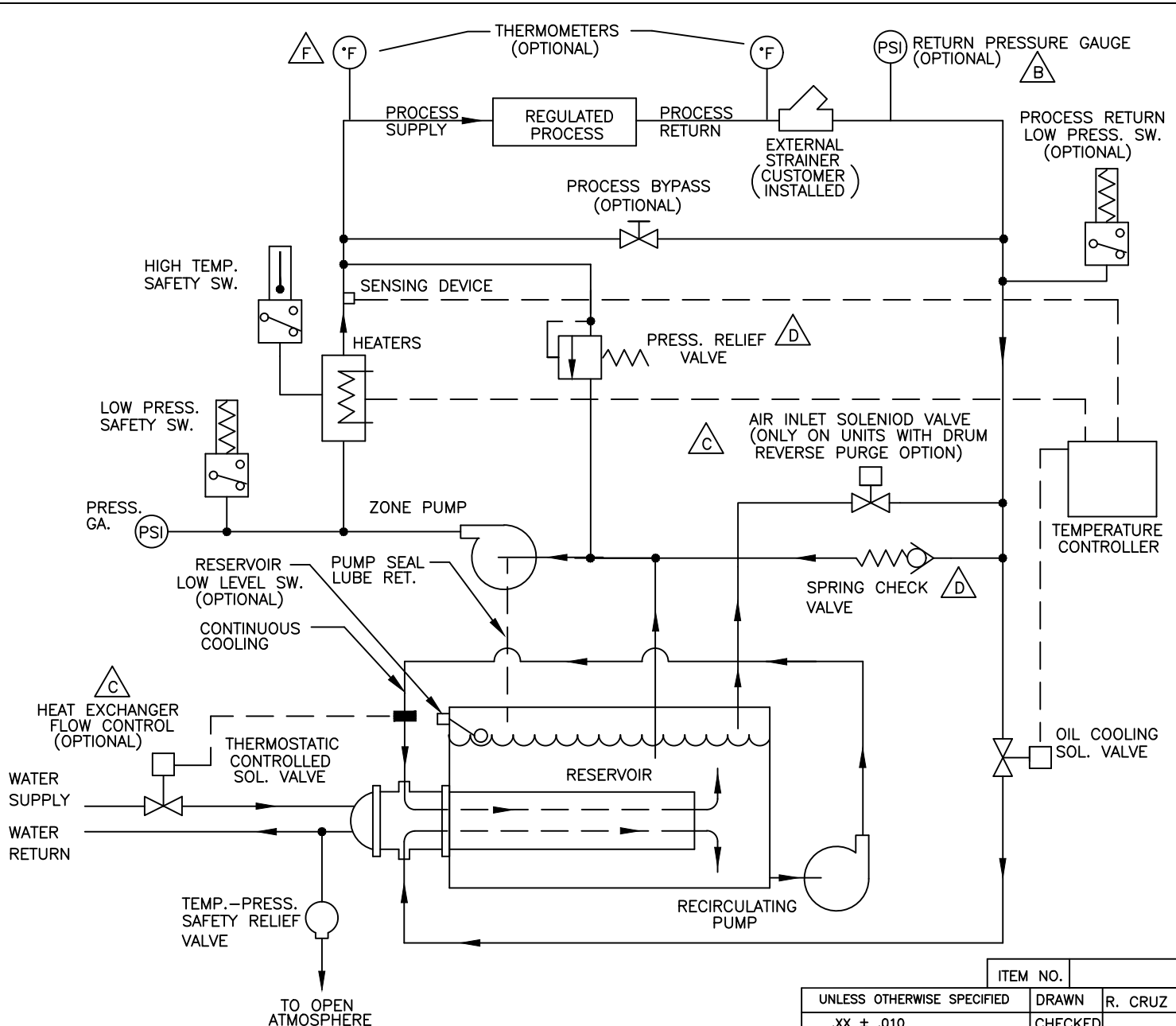


120-0826

CAD GENERATED DRAWING



REVISIONS			
LTR	DESCRIPTION	DATE	APPROVED
A	ADDED PROCESS BYPASS.	7/30/97	
B	ADDED OPTIONAL PRESS. GAUGE	11/11/97	
C	ADDED OPTIONAL HEAT EXCH. FLOW CNT.	6/25/98	
D	UPDATED SYMBOL REPRESENTAION	8/6/98	
E	ADDED DRUM REV. PURGE TO DESCRIPTION	10/28/98	
F	ADDED SUPPLY/RETURN THERMOMETERS	1/25/99	

ITEM NO.	DESCRIPTION		
UNLESS OTHERWISE SPECIFIED	DRAWN	R. CRUZ	2/17/97
.XX ± .010	CHECKED		
.XXX ± .005	APP.		
.XXXX ±			
ANGLES ± 1/2"			
RAD.& FILLETS.005-.015			
DESCRIPTION FLOW SCHEMATIC: SINGLE OR MULTI ZONE OIL UNIT W/ RECIRCULATING PUMP & OPTIONAL DRUM REVERSE PURGE			

<h1 style="text-align: center;">MOKON</h1> <p style="text-align: center;">DIVISION PROTECTIVE CLOSURES CO.,INC. 2150 Elmwood Avenue, Buffalo, New York 14207</p>		MODEL NO.	DWG. NO.
		H4&H5 HTF SERIES	110-0816
SCALE NONE			SHEET 1 OF 1

E