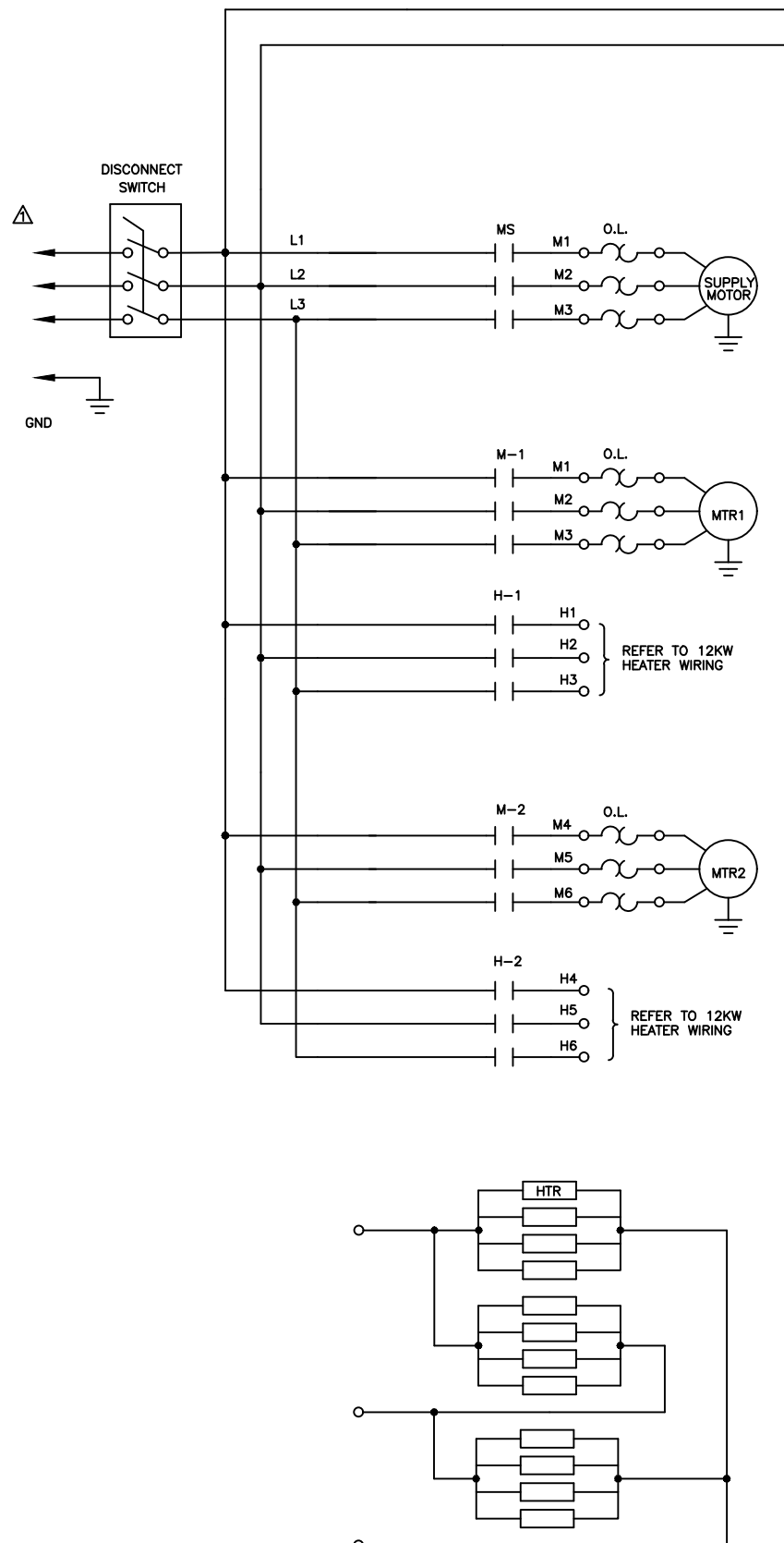
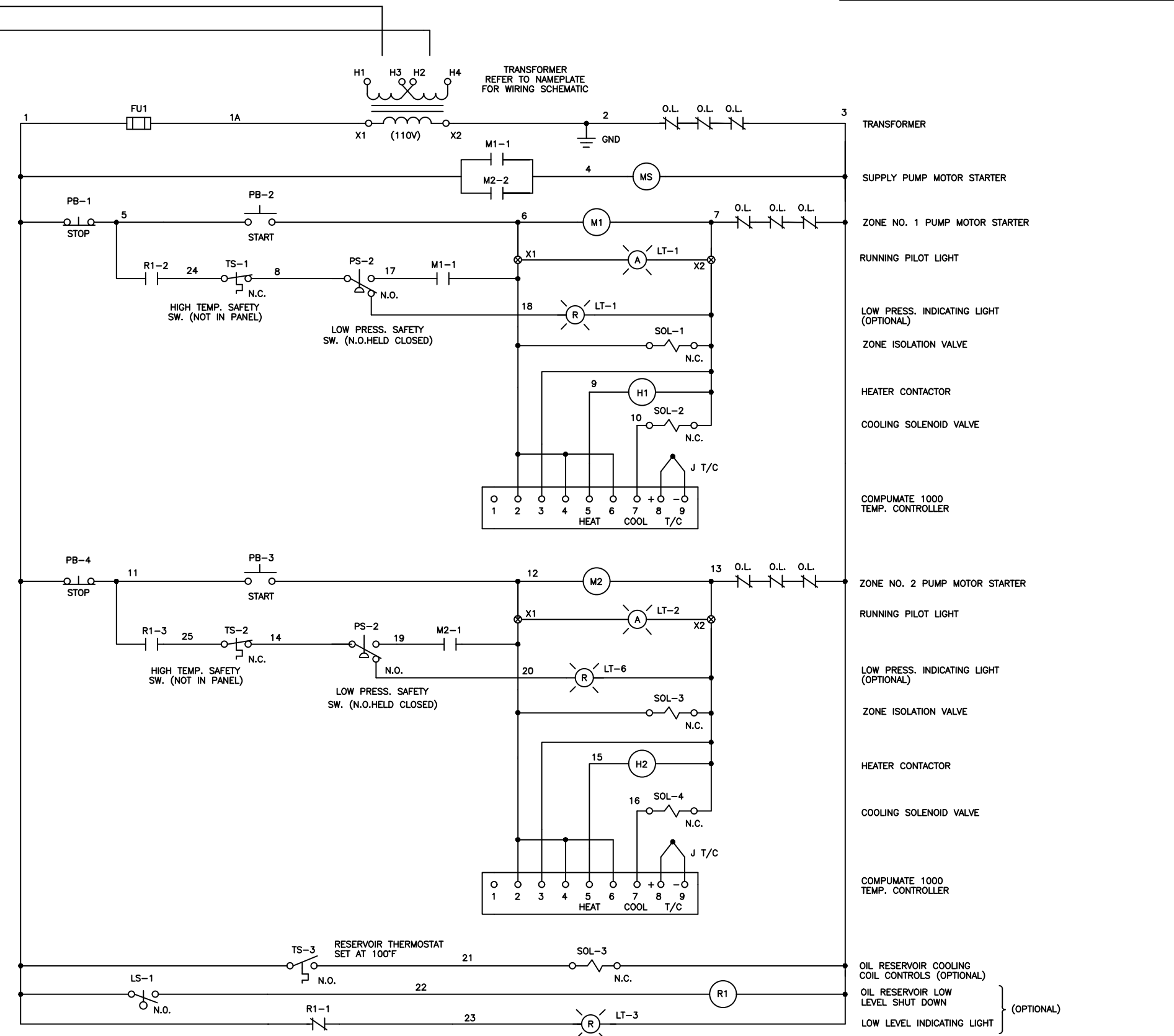


REVISIONS			
LTR	DESCRIPTION	DATE	APPROVED
A	REDRAWN ON CAD	4/27/94	



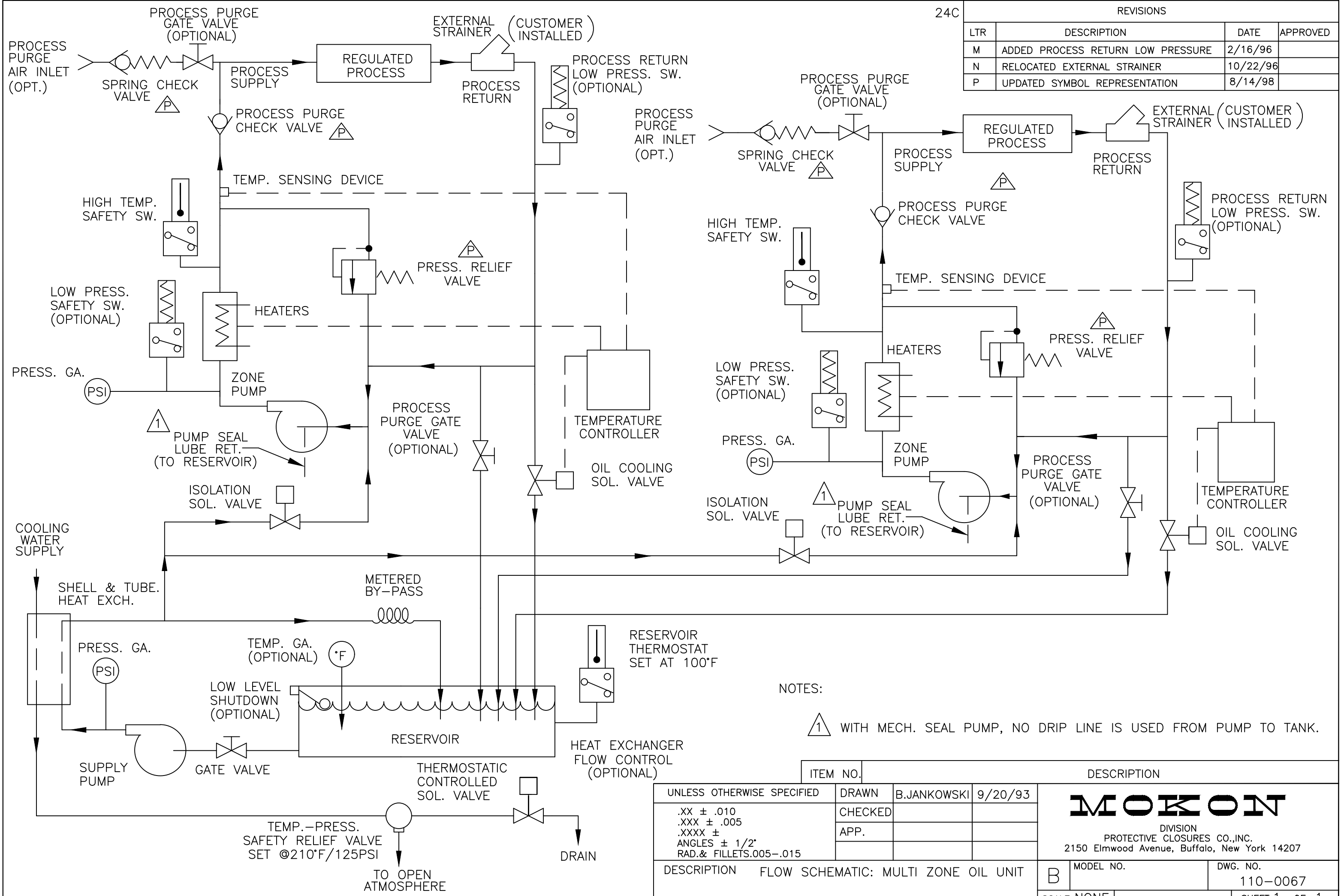
- NOTES:
- REFER TO OPERATORS MANUAL FOR POWER SUPPLY REQ'D.
 - ALL HEATERS ARE 1 KW, DUAL ELEMENT, SEE DWG. NO. 100-0132 FOR DETAILS OF INDIVIDUAL ELEMENT WIRING.
 - LAST WIRE NUMBER 25.



ITEM NO.	DESCRIPTION	PART NO.
UNLESS OTHERWISE SPECIFIED	DRAWN B.JANKOWSKI 4/26/94	
.XX ± .010	CHECKED	
.XXX ± .005	APP.	
.XXXX ±		
ANGLES ± 1/2°		
RAD.& FILLETS.005-.015		
DESCRIPTION	ELECTRICAL SCHEMATIC: TWO ZONE OIL UNIT 208V/3PH/60HZ. 12KW PER ZONE W/ COMPUMATE 1000 TEMP. CONTROLLER	
MODEL NO.	XC/XA-G12	DWG. NO. 130-0585
SCALE: NONE		SHEET 1 OF 1

MOKON
 DIVISION
 PROTECTIVE CLOSURES CO., INC.
 2150 Elmwood Avenue, Buffalo, New York 14207

CAD GENERATED DRAWING 130-0585



24C

REVISIONS			
LTR	DESCRIPTION	DATE	APPROVED
M	ADDED PROCESS RETURN LOW PRESSURE	2/16/96	
N	RELOCATED EXTERNAL STRAINER	10/22/96	
P	UPDATED SYMBOL REPRESENTATION	8/14/98	

NOTES:

① WITH MECH. SEAL PUMP, NO DRIP LINE IS USED FROM PUMP TO TANK.

ITEM NO.				DESCRIPTION	
UNLESS OTHERWISE SPECIFIED				DRAWN	B.JANKOWSKI 9/20/93
.XX ± .010				CHECKED	
.XXX ± .005				APP.	
.XXXX ±					
ANGLES ± 1/2°					
RAD.& FILLETS.005-.015					
DESCRIPTION FLOW SCHEMATIC: MULTI ZONE OIL UNIT					
B		MODEL NO.		DWG. NO.	
SCALE NONE				110-0067	
				SHEET 1 OF 1	

MOKON

DIVISION
PROTECTIVE CLOSURES CO.,INC.
2150 Elmwood Avenue, Buffalo, New York 14207