

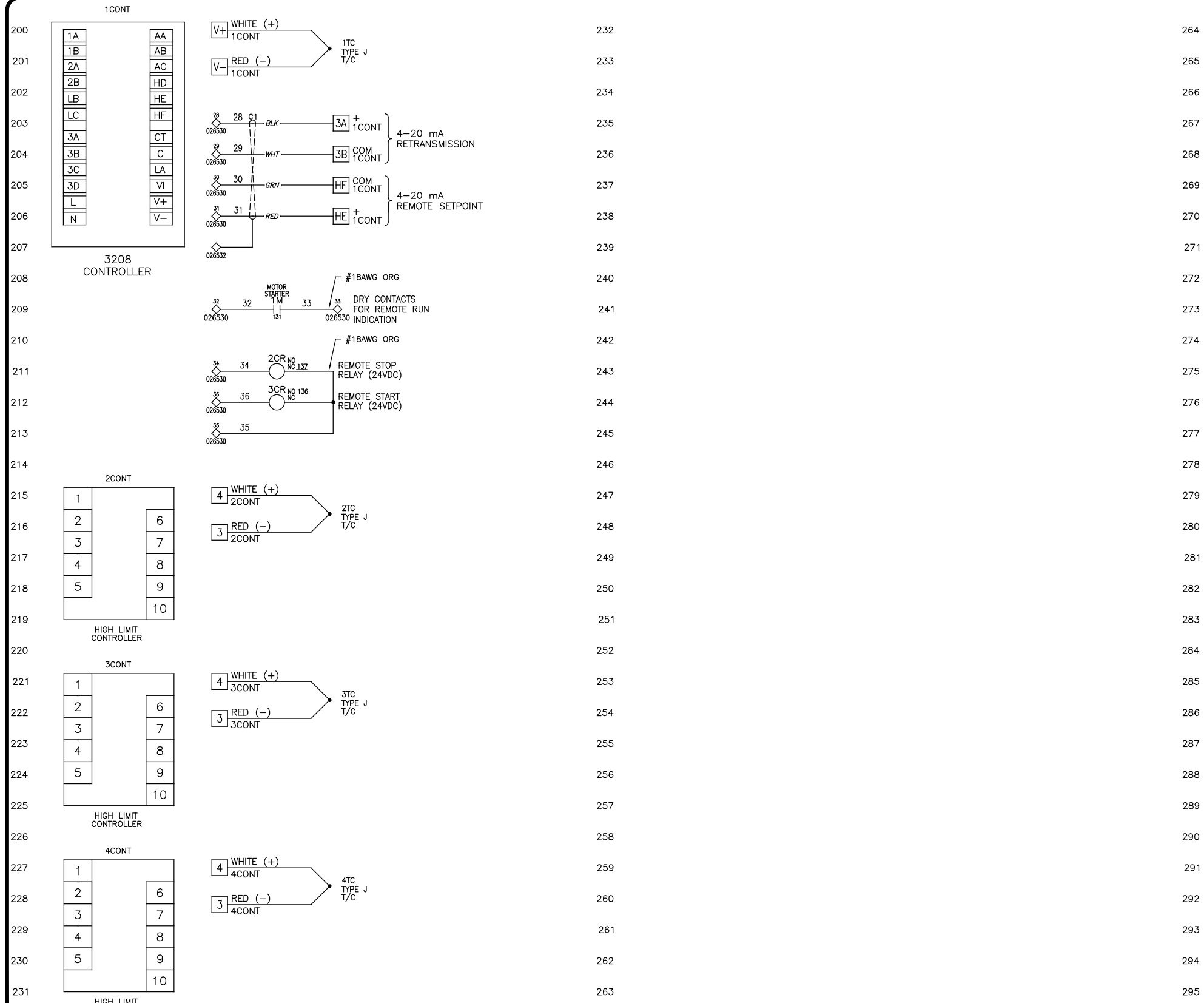
REVISIONS	DESCRIPTION	BY	DATE	ECN NO.
D	ADDED 1TD	BK	07/27/18	
C	REVISED PER CUSTOMER COMMENTS	BK	03/20/18	
B	REVISED PER CUSTOMER COMMENTS	BK	03/05/18	
A	REVISED PER CUSTOMER COMMENTS	BK	10/03/17	
LTR				

NOTES:  
 1.) ALL VOLTAGES ARE "AC" UNLESS OTHERWISE SPECIFIED.  
 2.) USE FUSES SPECIFIED OR EQUIVALENT.  
 3.) LAST WIRE NUMBER IS 52  
 4.) ◇ INDICATES TERMINAL BLOCK CONNECTION.  
 5.) CUSTOMER SUPPLIED START/STOP SWITCH MUST BE OF THE MOMENTARY TYPE TO MAINTAIN SYSTEM WARRANTY  
 6.) 4mA=75°F, 20mA=600°F

**PROPRIETARY NOTICE**  
 THE INFORMATION IN THIS DOCUMENT IS PROPRIETARY TO MOKON AND SHALL NOT BE USED OR REPRODUCED FOR ANY REASON WITHOUT PRIOR WRITTEN CONSENT.

**CUSTOMER APPROVED  
DRAWING**  
**NO CHANGES TO BE MADE  
WITHOUT CUSTOMER APPROVAL**  
 BY: GLENN GLOW DATE: 10/31/2017

REFERENCE MODEL	DRAWN	B. KENNELLY	08/30/17
HF4424CA	CHECKED	BK	08/30/17
460V/3PH/60HZ	APPROVED	DH	08/30/17
	VERIFIED		
DESCRIPTION	2150 Elmwood Avenue, Buffalo, New York 14207		
ELECTRICAL SCHEMATIC/PANEL, FLOW & ASSEMBLY LAYOUT	D	MODEL NO.	HF4896CF
96KW SINGLE ZONE OIL UNIT	REV	DWG. NO.	HF4896CF
SCALE: NONE DWG SIZE: B		SHEET	1 OF 5



264
265
266
267
268
269
270
271
272
273
274
275
276
277
278
279
280
281
282
283
284
285
286
287
288
289
290
291
292
293
294
295

1XF	024105	1	TFMR 500VA 240X480/120X240
	026532	1	GROUND TERMINAL BLOCK
	026530	27	CUSTOMER CONNECTION TERMINAL BLOCK
	026529	15	TERMINAL BLOCK
1TC	040011	4	TYPE J THERMOCOUPLE (GROUNDED)
2TC			
3TC			
4TC			
1SDL	025275	1	SOLENOID VALVE 1/8"
2SDL	025107	4	SOLENOID VALVE 1/2"
3SDL			
4SDL			
5SDL			
1SS	022178	1	2 PDS. SELECTOR SWITCH
1RC	006266	4	REDUNDANT CONTACTOR
2RC			
3RC			
4RC			
1PSUP	024062	1	POWER SUPPLY 100-240VAC/24VDC 50W 2.1A
1PS	022142	1	LOW PRESSURE SWITCH
1PB	022229	1	EMERGENCY STOP BUTTDN
2PB	022038	1	PUSH BUTTON - START/STDP
3PB	022185	1	PUSH BUTTON - BLACK
1DL	006367	2	OVERLOAD 3.2-16A
2DL			
2M	006257	1	CONTACTOR 40A
1M	006256	1	CONTACTOR 24A
1MDT	030028	1	MOTDR 3HP
2MDT	032206	1	PUMP W/ MOTDR
7LT	014055	1	RED PILD T LIGHT
2LT	014162	2	RED INDICATING LIGHT
4LT			
3LT	014166	2	GREEN INDICATING LIGHT
6LT	014163	1	BLUE INDICATING LIGHT
1LT	014164	1	AMBER INDICATING LIGHT
1GND	026462	1	GROUND BAR
1FU	045043	3	FUSE 15A LP-CC
2FU			
3FU			
19FU	045001	2	FUSE 3A FNQ-R
20FU			
4FU	026711	3	FUSE 25A LPJ
5FU			
6FU			
10FU	026397	12	FUSE 40A LPJ
11FU			
12FU			
13FU			
14FU			
15FU			
16FU			
17FU			
18FU			
7FU			
8FU			
9FU			
21FU	026046	1	FUSE 5A FNM
1FLT	022162-1	1	LEVEL SWITCH
1H	006298	4	CONTACTOR 50A
2H			
3H			
4H			
1CV	025779	1	BALL 3-WAY VALVE
1DS	022270	1	DISCONNECT 160A DDDR MOUNT
1PDB	026399	1	DISTRIBUTION BLCK 175A
1CNT	040487	1	CONTROLLER
2CNT	035302	3	LIMIT CONTROLLER
3CNT			
4CNT			
4CR	006457	2	RELAY SPDT 10A
6CR			
2CR	006290	3	RELAY SPDT 6A 24VAC/VDC
3CR			
5CR			
1CR	006250	1	RELAY 3PDT 10A 120V
ITEM	MOKON P/N	QTY	DESCRIPTION

- NOTES:
- 1.) ALL VOLTAGES ARE "AC" UNLESS OTHERWISE SPECIFIED.
  - 2.) USE FUSES SPECIFIED OR EQUIVALENT.
  - 3.) LAST WIRE NUMBER IS 36
  - 4.) ◇ INDICATES TERMINAL BLOCK CONNECTION.
  - 5.) CUSTOMER SUPPLIED START/STOP SWITCH MUST BE OF THE MOMENTARY TYPE TO MAINTAIN SYSTEM WARRANTY
  - 6.) 4mA=75°F, 20mA=60°F

C	REVISED PER CUSTOMER COMMENTS	BK	03/20/18	
B	REVISED PER CUSTOMER COMMENTS	BK	03/05/18	
A	REVISED PER CUSTOMER COMMENTS	BK	10/03/17	
LTR	DESCRIPTION	BY	DATE	ECN NO.
REVISIONS				

CUSTOMER APPROVED  
DRAWING  
NO CHANGES TO BE MADE  
WITHOUT CUSTOMER APPROVAL  
BY: GLENN GLOW DATE: 10/31/2017

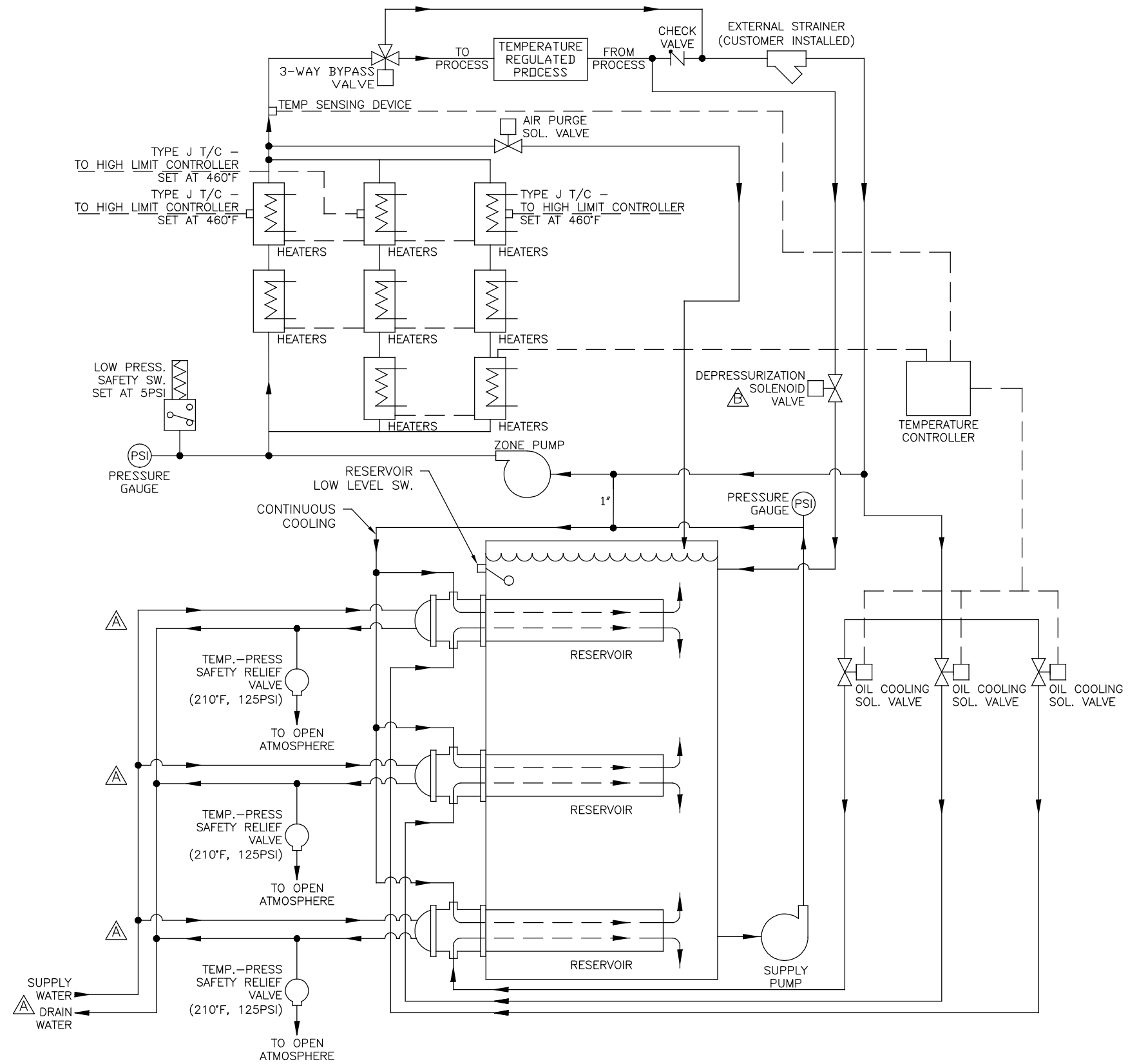
PROPRIETARY NOTICE  
THE INFORMATION IN THIS DOCUMENT IS PROPRIETARY TO MOKON AND SHALL NOT BE USED OR REPRODUCED FOR ANY REASON WITHOUT PRIOR WRITTEN CONSENT.

REFERENCE MODEL	DRAWN	B. KENNEL	08/30/17
HF4424CA	CHECKED	BK	08/30/17
460V/3PH/60HZ	APPROVED	DH	08/30/17
	VERIFIED		

**MOKON**

DESCRIPTION  
ELECTRICAL SCHEMATIC/PANEL, FLOW & ASSEMBLY LAYOUT  
96KW SINGLE ZONE OIL UNIT

2150 Elmwood Avenue, Buffalo, New York 14207  
B MODEL NO. HF4896CF DWG. NO. HF4896CF  
REV 96K SCALE: NONE DWG SIZE: B SHEET 2 OF 5



SENT FOR CUSTOMER  
REVIEW/ FILE ON 02/08/18

LTR	DESCRIPTION	BY	DATE	ECN NO.
C	REVISED PER CUSTOMER COMMENTS	BK	03/20/18	
B	REVISED PER CUSTOMER COMMENTS	BK	03/05/18	
A	REVISED PER CUSTOMER COMMENTS	BK	10/03/17	
REVISIONS				

NOTES:  
1. FDR SERIAL # 7017840 ONLY

**PROPRIETARY NOTICE**  
THE INFORMATION IN THIS DOCUMENT IS PROPRIETARY TO MOKON AND SHALL NOT BE USED OR REPRODUCED FOR ANY REASON WITHOUT PRIOR WRITTEN CONSENT.

REFERENCE MODEL	DRAWN	B. KENNELLY	08/30/17
HF4424CA	CHECKED	BK	08/30/17
460V/3PH/60HZ	APPROVED	DH	08/30/17
	VERIFIED		

DESCRIPTION  
ELECTRICAL SCHEMATIC/PANEL, FLOW & ASSEMBLY LAYOUT  
96KW SINGLE ZONE OIL UNIT

**MOKON**

2150 Elmwood Avenue, Buffalo, New York 14207

B	MODEL NO.	HF4896CF	DWG. NO.	HF4896CF
REV				
SCALE: NONE		DWG SIZE: B		SHEET 4 OF 5