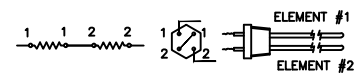
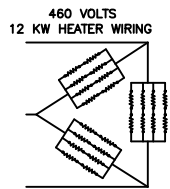
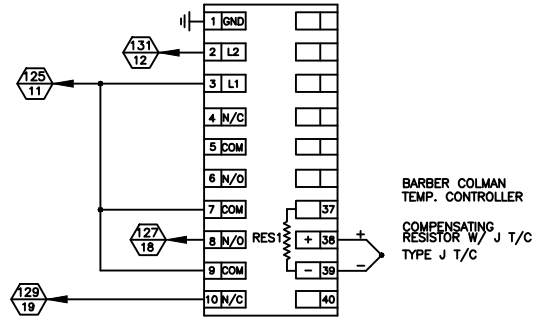


REVISIONS			
LTR	DESCRIPTION	DATE	APPROVED

142  
143  
144  
145  
146  
147  
148  
149  
150  
151  
152  
153  
154  
155  
156  
157  
158  
159  
160  
161  
162  
163  
164  
165  
166  
167  
168  
169  
170  
171  
172  
173  
174  
175  
176



DETAIL INDIVIDUAL HEATER ELEMENTS WIRING 1 KW

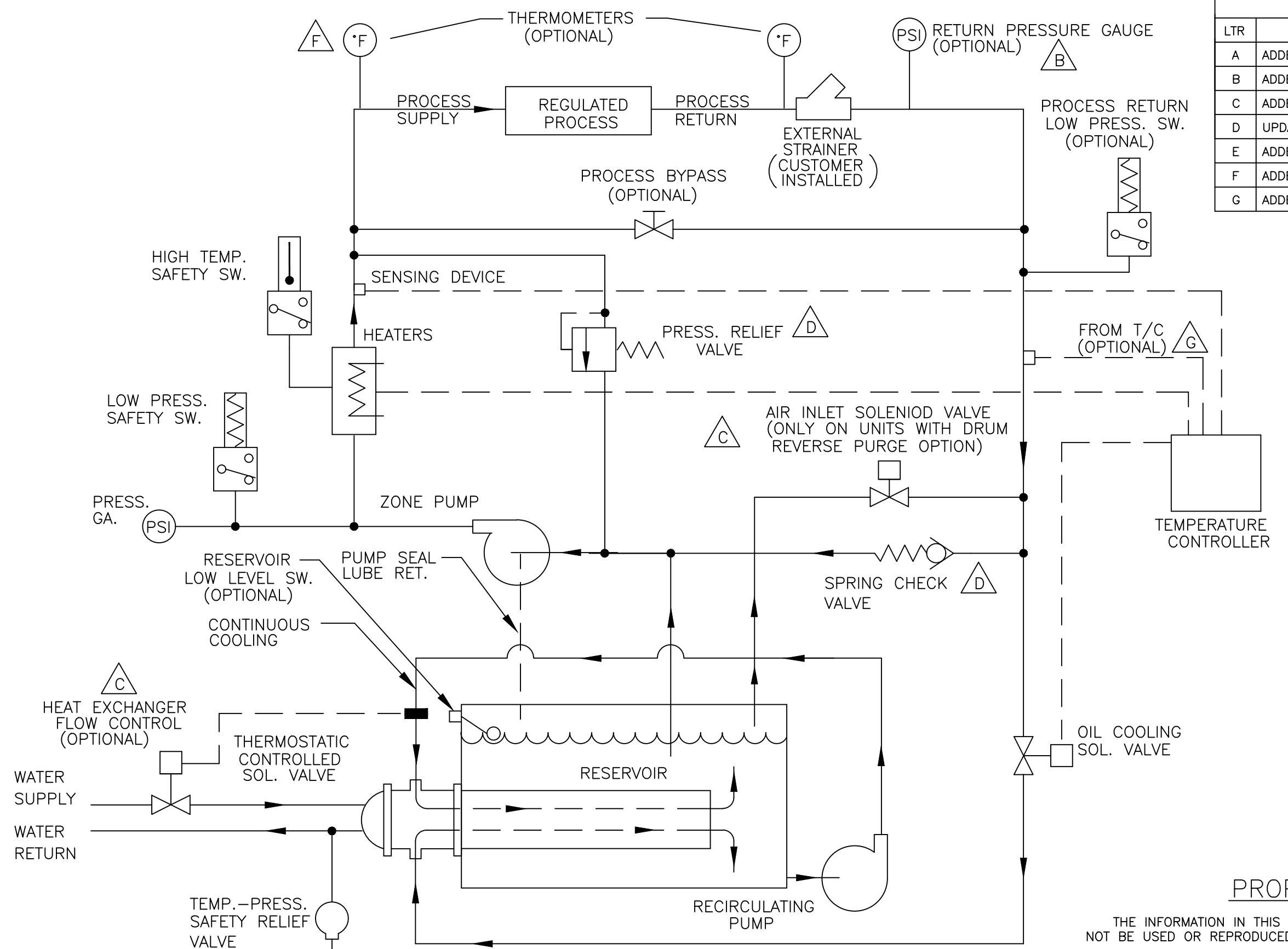
NOTES:  
1.) REFER TO OPERATORS MANUAL FOR POWER SUPPLY.  
2.) LAST WIRE NUMBER 24.

ITEM NO.	DESCRIPTION	PART NO.
UNLESS OTHERWISE SPECIFIED		
.XX ± .010	DRAWN R. CRUZ	6/27/97
.XXX ± .005	CHECKED	
.XXXX ±	APP.	
ANGLES ± 1/2"		
RAD.& FILLETS.005-.015		
DESCRIPTION ELECTRICAL SCHEMATIC: SINGLE ZONE OIL UNIT 460V/3ø/50-60Hz 12KW WITH BARBER COLMAN 10Q TEMP. CONTROLLER		
C	MODEL NO. H44112A1	DWG. NO. 120-0671
SCALE NONE		SHEET 1 OF 1

**MOKON**  
DIVISION  
PROTECTIVE CLOSURES CO., INC.  
2150 Elmwood Avenue, Buffalo, New York 14207

120-0671  
CAD GENERATED DRAWING

REVISIONS			
LTR	DESCRIPTION	DATE	APPROVED
A	ADDED PROCESS BYPASS.	7/30/97	
B	ADDED OPTIONAL PRESS. GAUGE	11/11/97	
C	ADDED OPTIONAL HEAT EXCH. FLOW CNT.	6/25/98	
D	UPDATED SYMBOL REPRESENTAION	8/6/98	
E	ADDED DRUM REV. PURGE TO DESCRIPTION	10/28/98	
F	ADDED SUPPLY/RETURN THERMOMETERS	1/25/99	
G	ADDED FROM T/C (OPTIONAL)	6/14/00	



**PROPRIETARY NOTICE**

THE INFORMATION IN THIS DOCUMENT IS PROPRIETARY TO MOKON AND SHALL NOT BE USED OR REPRODUCED FOR ANY REASON WITHOUT PRIOR WRITTEN CONSENT.

ITEM NO.	DESCRIPTION		
UNLESS OTHERWISE SPECIFIED	DRAWN	R. CRUZ	2/17/97
.XX ± .010	CHECKED	CY	2/20/02
.XXX ± .005	APP.	PF	2/20/02
.XXXX ±	VERIFIED		6/17/03
ANGLES ± 1/2"			
RAD.& FILLETS.005-.015			
DESCRIPTION FLOW SCHEMATIC: SINGLE OR MULTI ZONE OIL UNIT W/ RECIRCULATING PUMP & OPTIONAL DRUM REVERSE PURGE			
SCALE NONE		SHEET 1 OF 1	

**MOKON**  
2150 Elmwood Avenue, Buffalo, New York 14207

MODEL NO. H4&H5 HTF SERIES  
DWG. NO. 110-0816

E