

## 305 Multi Link Ladle

- Foundry
  - Die Casting
- Cost Efficient, Versatile, Accurate, & Fast Automated Pouring*

**R**imrock's 305 Multi-Link ladle is a powerful, custom designed, versatile ladler designed to provide you with an advanced high-tech pouring machine to meet any pouring challenge. With more than 2,500 units supplied to the North American market, our ladler has proven that its reliability is second to none. With an adjustable programmed stroke and the ability to handle a full range of pour weights, the 305 Multi-Link ladler's state-of-the-art technology is the answer to your automation pouring needs.



### Key Features

- One DC drive controls the strokes and the speeds between the furnace and pour points. A second drive controls the tilting of the dipper during the pour and fill phases of the cycle providing maximum reliability and repeatability of position and size.
- Programmable stroke from 40" to 100"
- Programmable speeds and positions
- Standard model has 50 pound maximum shot capacity
- Heavy duty model has 80 pound maximum shot capacity
- Our controls are easily programmable and offer a pour forward, programmable low metal and metal tracking features.



### Process

**Fill:** Clean metal enters the dipper through the fill slot below the surface to assure a dross-free shot. While filling, two metal sensing probes seek the surface of the bath for accurate positioning of the dipper. A third probe protects the system from furnace recharging while the dipper is in the bath, and serves as a backup should one of the primary sensors fail. Sensor probe adjustments can be made away from the furnace. Also, a continuous electrical check of the entire sensor system is performed to ensure probe integrity.

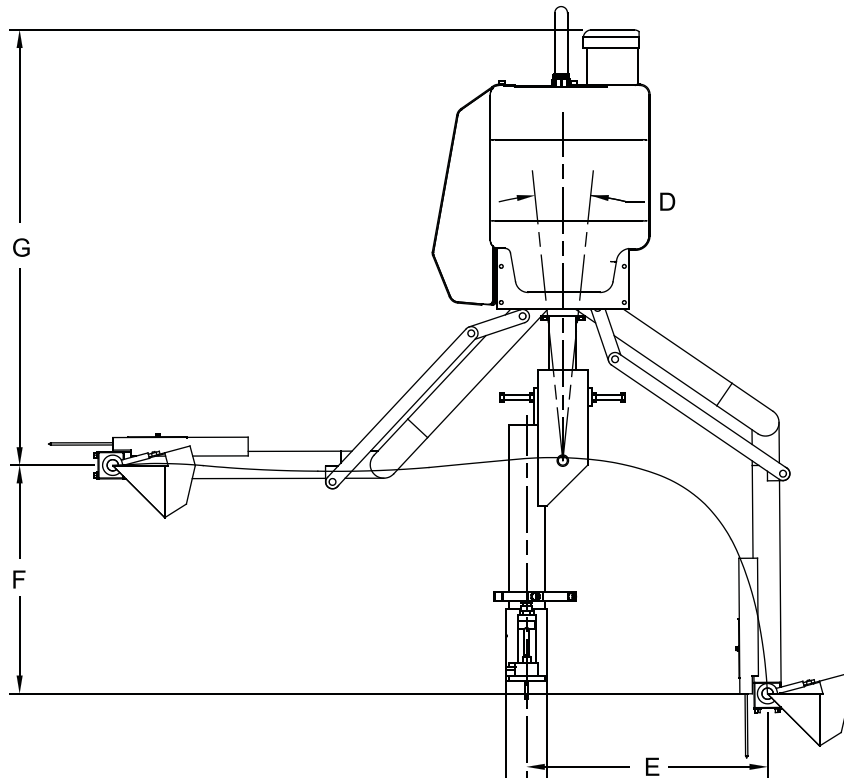
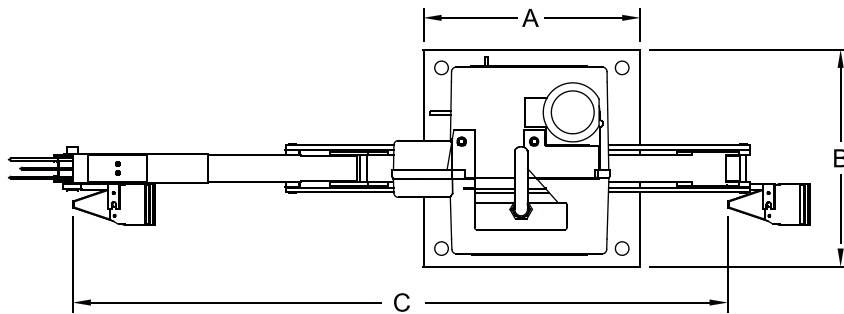
**Transport:** The linkage construction and adjustable floor mount make the ladler easily adaptable to any shot position, while permitting placement on either the operator's or helper's side of the machine.

**Pour:** Improved casting quality and reduced erosion of the shot sleeve are achieved with the 305 Ladler's pour contouring capability. Three speed positions may be programmed from the control panel for complete pour management. The unit is designed to pour directly into the pour hole.

**Pour Back:** Should anything interrupt the machine cycle, automatic pour back is a standard feature of the 305 Multi-Link Ladle. The dipper will automatically return to the furnace, pour back the metal and return to the rest position.



# 305 Multi Link Ladle



	Variation "A"	Variation "B"	Variation "C"	Variation "D"	Variation "E"	Variation "F"	Variation "G"
70" Stroke	24	24	40-70	± 6°	18-26	25 1/4	48 1/4
80" Stroke	24	24	50 - 80	± 6°	24-32	30 1/4	52 5/8
80" HD Stroke	36	36	50 - 80	+13° -8°	24-32	32	57
100" HD Stroke	36	36	70 - 100	+13 -8°	29-37	39	63

## What Can Rimrock's 305 Ladle Do for Me?

### Creates a Safe Workplace

- Reduces risk of injury

### Reduces Setup Time With

- Memory areas for program storage
- Pour forward

### Reduces Cycle Time

- DC drive speed
- Minimizes pot-to-shot times

### Reduces Shot Variation

- Accuracy
- Consistent metal volume
- No spilling or dripping with contour pouring and pour forward

### Provides Ease of Maintenance & Operation

- Changeable to operator or helper side
- User-friendly graphical interface
- Proximity switches
- Light fiberglass covers

### Sells Castings

- Consistency
- Better quality
- Lower scrap

### 305 Ladle vs. Dosing Furnaces

#### Our ladle offers:

- Low maintenance
- A knowledgeable support staff
- An accurate pour
- Increased uptime