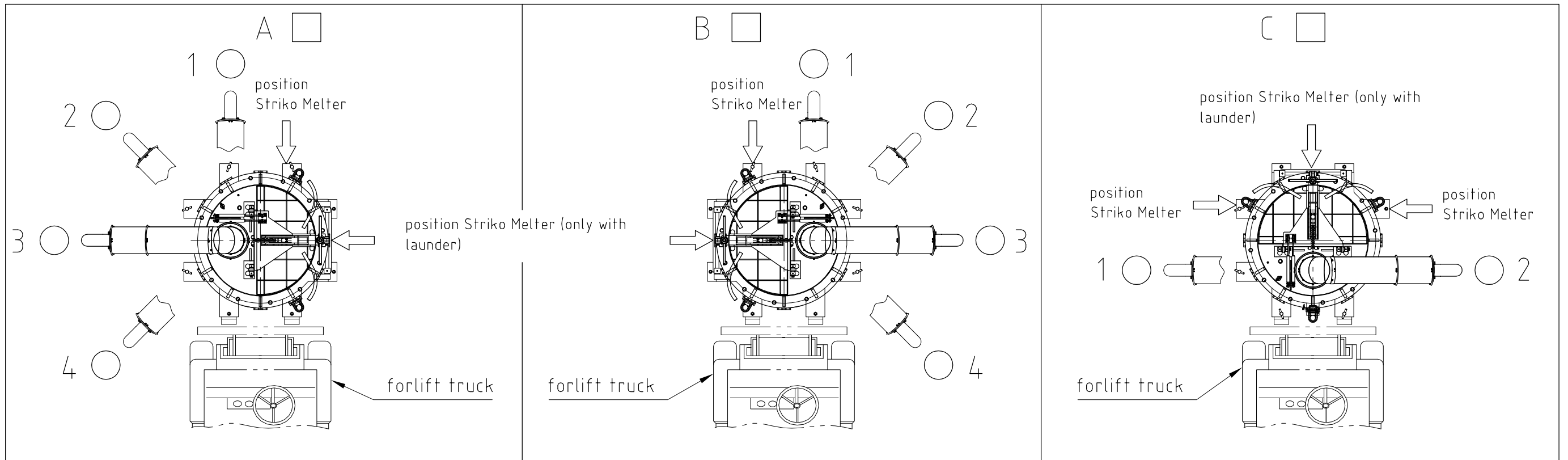
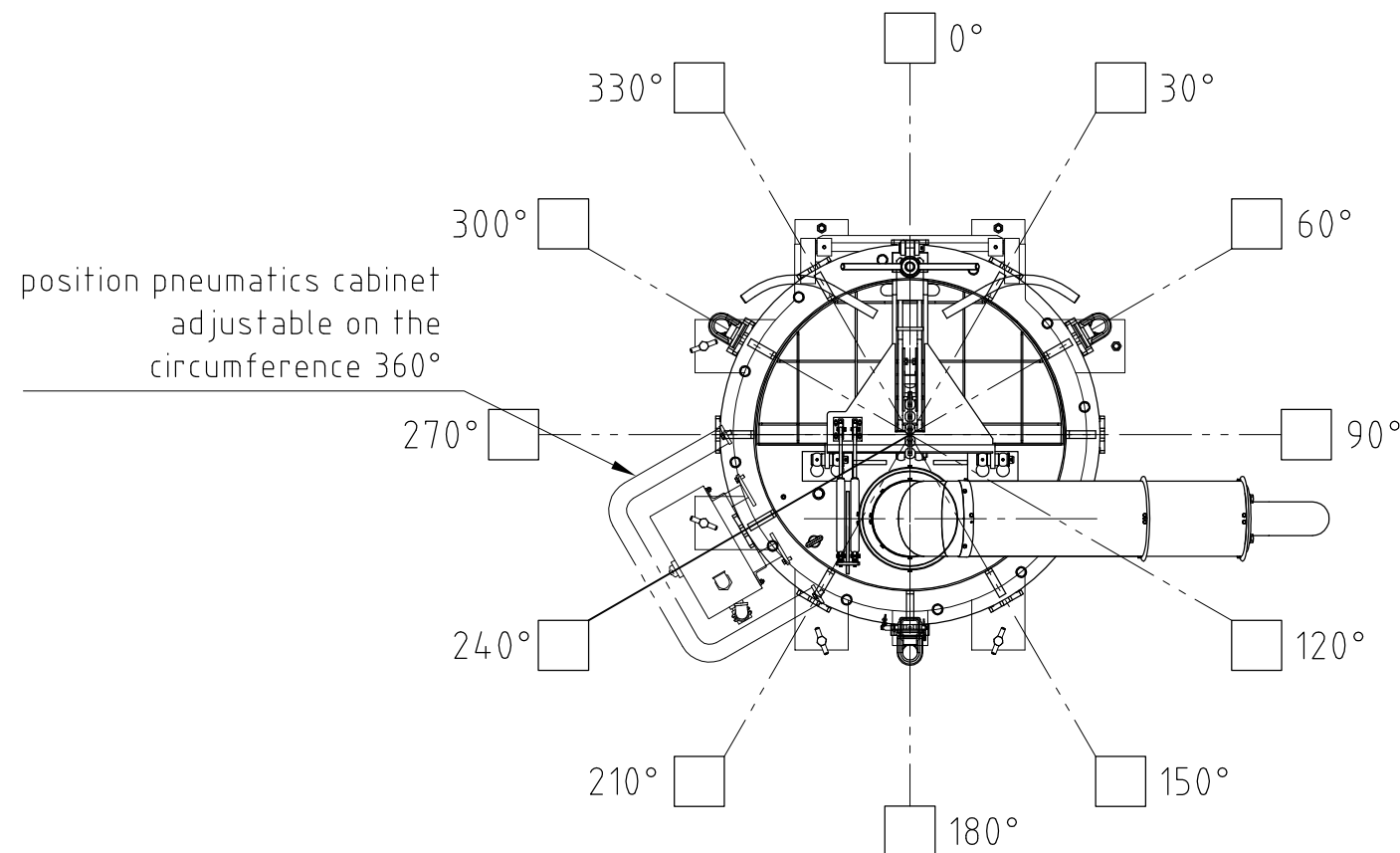


positioning of the forklift truck and the filling tube



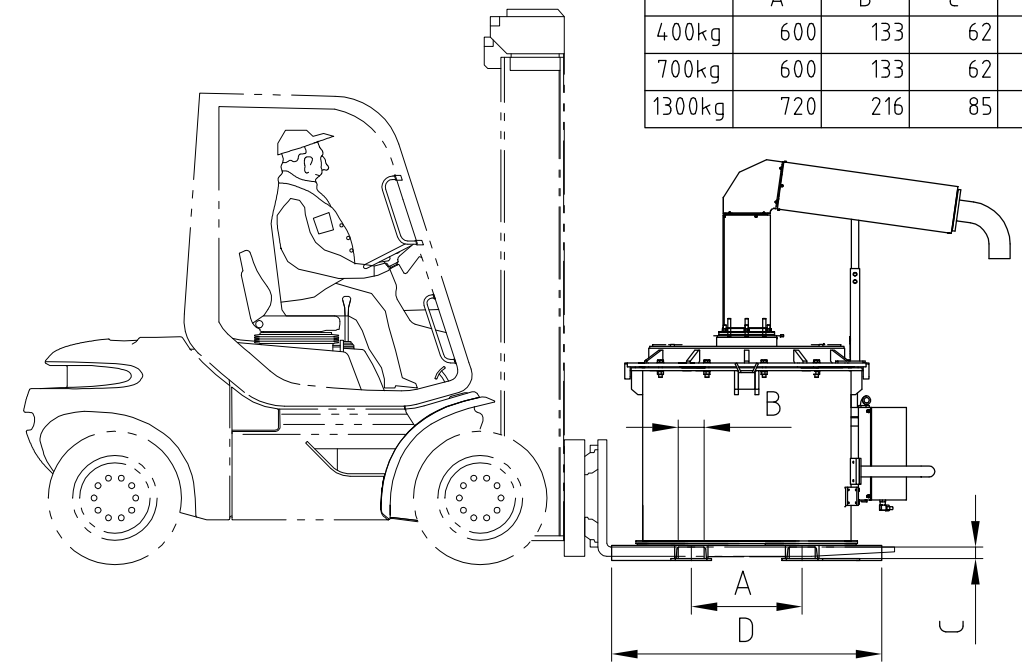
position pneumatics cabinet

☒ ☒ Please mark your favorite positioning with a cross.

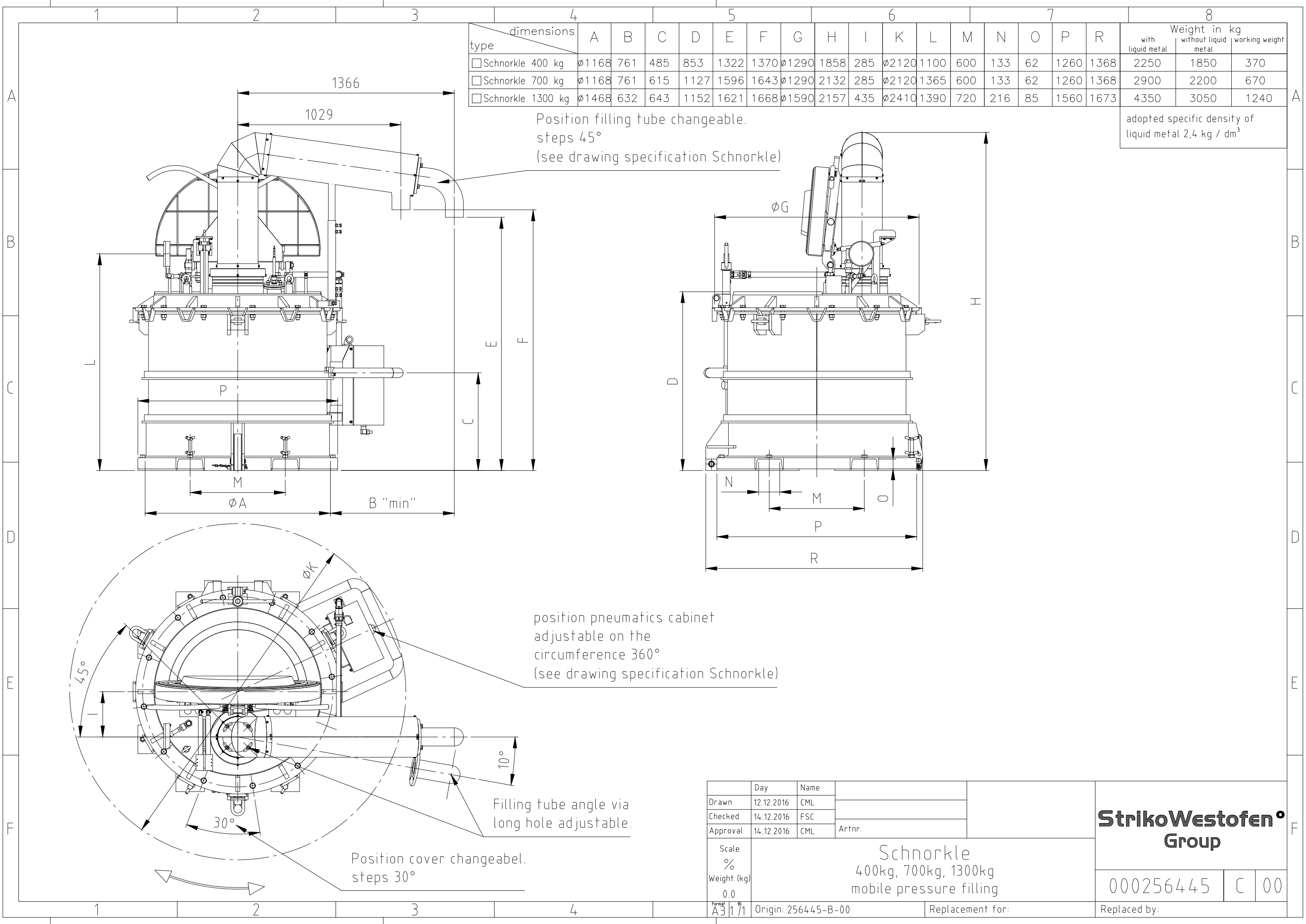


☒ Please mark your favorite positioning with a cross.

Dimensions of the fork shoes.				
	A	B	C	D
400kg	600	133	62	1260
700kg	600	133	62	1260
1300kg	720	216	85	1560



Drawn	29.09.2016	CML		Artnr.	StrikoWestofen[®] Group		
Checked	18.10.2016	GPE					
Approval	18.10.2016	CML					
Scale	Specification Schnorkle				000292017	A	00
%	400 kg, 700 kg, 1300 kg						
Weight (kg)	0.0				Replaced by:		
Format	A3	Bl.	1/1	Origin:	Replacement for:		



dimensions type	A	B	C	D	E	F	G	H	I	K	L	M	N	O	P	R	Weight in kg		
																	with liquid metal	without liquid metal	working weight
□ Schnorkle 400 kg	ø1168	761	485	853	1322	1370	ø1290	1858	285	ø2120	1100	600	133	62	1260	1368	2250	1850	370
□ Schnorkle 700 kg	ø1168	761	615	1127	1596	1643	ø1290	2132	285	ø2120	1365	600	133	62	1260	1368	2900	2200	670
□ Schnorkle 1300 kg	ø1468	632	643	1152	1621	1668	ø1590	2157	435	ø2410	1390	720	216	85	1560	1673	4350	3050	1240

Position filling tube changeable.
steps 45°
(see drawing specification Schnorkle)

adopted specific density of liquid metal 2,4 kg / dm³

position pneumatics cabinet adjustable on the circumference 360°
(see drawing specification Schnorkle)

Filling tube angle via long hole adjustable.

Position cover changeabel.
steps 30°

	Day	Name	
Drawn	12.12.2016	CML	
Checked	14.12.2016	FSC	
Approval	14.12.2016	CML	Artnr.

Scale
%
Weight (kg)
0.0

Schnorkle
400kg, 700kg, 1300kg
mobile pressure filling

StrikoWestofen^o
Group

000256445 | C | 00

Origin: 256445-B-00 Replacement for:

Replaced by: